

# Portable Stereo CD System

## RX-ED77

### Operating Instructions



# Panasonic®

**Dear customer**

Thank you for purchasing this product.  
For optimum performance and safety, please read these operating instructions carefully.

The model number and serial number of this product can be found on either the back or the bottom of the unit.  
Please note them in the space provided below and keep for future reference.

MODEL NUMBER \_\_\_\_\_ **RX-ED77** \_\_\_\_\_  
SERIAL NUMBER \_\_\_\_\_

**User memo:**

DATE OF PURCHASE \_\_\_\_\_  
DEALER NAME \_\_\_\_\_  
DEALER ADDRESS \_\_\_\_\_  
TELEPHONE NUMBER \_\_\_\_\_

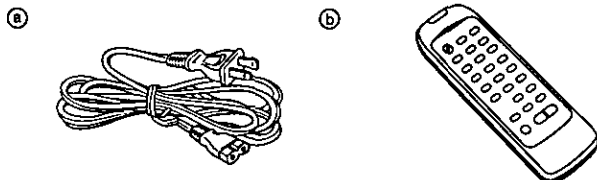
**CAUTION:**  
TO PREVENT ELECTRIC SHOCK MATCH  
WIDE BLADE OF PLUG TO WIDE SLOT,  
FULLY INSERT.

**WARNING:**  
TO REDUCE THE RISK OF FIRE, ELECTRIC  
SHOCK OR PRODUCT DAMAGE, DO NOT  
EXPOSE THIS APPLIANCE TO RAIN,  
SPASHING, DRIPPING OR MOISTURE.

**CAUTION!**  
THIS PRODUCT UTILIZES A LASER.  
USE OF CONTROLS OR ADJUSTMENTS OR PERFORM-  
ANCE OF PROCEDURES OTHER THAN THOSE SPECI-  
FIED HEREIN MAY RESULT IN HAZARDOUS RADIATION  
EXPOSURE.  
DO NOT OPEN COVERS AND DO NOT REPAIR  
YOURSELF. REFER SERVICING TO QUALIFIED  
PERSONNEL.

**Supplied Accessories**

Please Check and identify the supplied accessories.



- (a) AC power cord (SJA172) ..... 1 pc.
- (b) Remote control transmitter (EUR643826) ..... 1 pc.

**(Only for U.S.A.)**

To order accessories call MSC Accessory Dept. 1-800-332-5368.  
Use numbers indicated in parentheses when asking for replacement parts.

**THE FOLLOWING PHRASES ARE APPLIED ONLY FOR U.S.A.:**

**CAUTION:**

This equipment has been tested and found to comply with the limits for a Class B digital device, pursuant to Part 15 of the FCC Rules.

These limits are designed to provide reasonable protection against harmful interference in a residential installation. This equipment generates, uses and can radiate radio frequency energy and, if not installed and used in accordance with the instructions, may cause harmful interference to radio communications. However, there is no guarantee that interference will not occur in a particular installation. If this equipment does cause harmful interference to radio or television reception, which can be determined by turning the equipment off and on, the user is encouraged to try to correct the interference by one of the following measures:

- Reorient or relocate the receiving antenna.
- Increase the separation between the equipment and receiver.
- Connect the equipment into an outlet on a circuit different from that to which the receiver is connected.
- Consult the dealer or an experienced radio/TV technician for help.

FCC Notice: This system complies with new Part 15, except for the radio receiver, which complies with old Part 15, Subpart C of the FCC Rules. Operation is subject to the following two conditions: (1) This device may not cause harmful interference, and (2) this device must accept any interference received, including interference that may cause undesirable operation. The radio receiver is not subject to above item (2).

Any unauthorized changes or modifications to this equipment would void the user's authority to operate this device.

**CAUTION**  
RISK OF ELECTRIC SHOCK  
DO NOT OPEN

**CAUTION:** TO REDUCE THE RISK OF ELECTRIC SHOCK, DO NOT REMOVE SCREWS. NO USER-SERVICEABLE PARTS INSIDE. REFER SERVICING TO QUALIFIED SERVICE PERSONNEL.

The lightning flash with arrowhead symbol, within an equilateral triangle, is intended to alert the user to the presence of uninsulated "dangerous voltage" within the product's enclosure that may be of sufficient magnitude to constitute a risk of electric shock to persons.

The exclamation point within an equilateral triangle is intended to alert the user to the presence of important operating and maintenance (servicing) instructions in the literature accompanying the appliance.

## Table of Contents

### Before use

Supplied Accessories .....	2
Precautions .....	3
Power Sources .....	5
Location of Controls .....	6
Concerning the Remote Control .....	8
Opening/Closing the Top Panel .....	8
Using Headphones .....	8
Setting the Clock .....	9
Selecting the Display .....	9

### Listening

Listening to Cassettes .....	10
Listening to the Radio .....	12
Listening to CDs .....	14
Changing the Sound Quality .....	17

### Recording

Preparation for Recording .....	18
Recording from CD .....	19
Recording Tape to Tape .....	22
Recording Radio Programs .....	23

### Timer

Using the Play Timer .....	24
Using the Recording Timer .....	26
Using the Sleep Timer .....	28

### General information

Using an External Unit .....	29
Concerning Compact Discs .....	30
Concerning Cassette Tapes .....	31
Quick Reference of Remote Control Operations .....	32
Maintenance of External Surfaces .....	33
Troubleshooting Guide .....	34
Technical Specifications .....	35
Product Service .....	35

## Precautions

### Listening caution



Selecting fine audio equipment such as the unit you've just purchased is only the start of your musical enjoyment. Now it's time to consider how you can maximize the fun and excitement your equipment offers. This manufacturer and the Electronic Industries Association's Consumer Electronics Group want you to get the most out of your equipment by playing it at a safe level. One that lets the sound come through loud and clear without annoying blaring or distortion—and, most importantly, without affecting your sensitive hearing.

We recommend you to avoid prolonged exposure to excessive noise.

Sound can be deceiving. Over time your hearing "comfort level" adapts to higher volumes of sound. So what sounds "normal" can actually be loud and harmful to your hearing.

Guard against this by setting your equipment at a safe level BEFORE your hearing adapts.

To establish a safe level:

- Start your volume control at a low setting.
- Slowly increase the sound until you can hear it comfortably and clearly, and without distortion.

Once you have established a comfortable sound level:

- Set the dial and leave it there.

Taking a minute to do this now will help to prevent hearing damage or loss in the future. After all, we want you listening for a lifetime.

### Use of batteries

- Do not use rechargeable type batteries.
- Do not mix old and new batteries, or batteries of the different types (manganese and alkaline, etc.).
- Always remove old, weak or worn-out batteries promptly and dispose of them properly.
- Never subject batteries to excessive heat or flame; do not attempt to disassemble them, and be sure they are not short-circuited.
- If this unit is not to be used for a long period of time or is used only from an AC power source, remove the batteries and store them in a cool, dark place.
- If a battery leaks, remove all batteries and dispose them properly.
- Thoroughly clean the battery compartment before inserting new batteries.
- If the electrolyte comes into contact with skin or clothes, flush with water immediately.
- Keep batteries out of reach of children.
- Do not attempt to recharge alkaline or manganese batteries.
- Batteries installed with incorrect polarities may leak and damage the unit.

## Precautions

Before using this unit please read these operating instructions carefully. Take special care to follow the warnings indicated on the unit itself as well as the safety suggestions listed below. Afterwards keep them handy for future reference.

### Safety

1. **Power Source**—The unit should be connected to power supply only of the type described in the operating instructions or as marked on the unit.
2. **Polarization**—If the unit is equipped with a polarized AC power plug (a plug having one blade wider than the other), that plug will fit into the AC outlet only one way. This is a safety feature. If you are unable to insert the plug fully into the outlet, try reversing the plug. If the plug should still fail to fit, contact your electrician to replace your obsolete outlet. Do not defeat the safety purpose of the polarized plug.
3. **Power Cord Protection**—AC power supply cords should be routed so that they are not likely to be walked on or pinched by items placed upon or against them. Never take hold of the plug or cord if your hand is wet, and always grasp the plug body when connecting or disconnecting it.
4. **Nonuse Periods**—When the unit is not used, turn the power off. When left unused for a long period of time, the unit should be unplugged from the household AC outlet.

### Installation

#### Environment

1. **Water and Moisture**—Do not use this unit near water—for example, near a bathtub, washbowl, swimming pool, or the like. Damp basements should also be avoided.
2. **Condensation**—Moisture may form on the lens in the following conditions...
  - immediately after a heater has been turned on.
  - in a steamy or very humid room.
  - when the unit is suddenly moved from a cold environment to a warm one.If moisture forms inside this unit, it may not operate properly. To correct this problem, turn on the power and wait about one hour for the moisture to evaporate.
3. **Heat**—The unit should be situated away from heat sources such as radiators and the like. It also should not be placed in temperatures less than 5°C (41°F) or greater than 35°C (95°F).

### Placement

1. **Ventilation**—The unit should be situated so that its location or position does not interfere with its proper ventilation. Allow 10 cm (4") clearance from the rear of the unit.
2. **Foreign Material**—Care should be taken so that objects do not fall into and liquids are not spilled into the unit. Do not subject this unit to excessive smoke, dust, mechanical vibration, or shock.
3. **Magnetism**—The unit should be situated away from equipment or devices that generate strong magnetic fields.
4. **Stacking**—Do not place heavy objects, other than system components, on top of the unit.
5. **Surface**—Place the unit on a flat, level surface.
6. **Carts and Stands**—The unit should be used only with a cart or stand that is recommended by the manufacturer. The unit and cart combination should be moved with care. Quick stops, excessive force, and uneven surfaces may cause the unit and cart combination to overturn.
7. **Wall or Ceiling Mounting**—The unit should not be mounted to a wall or ceiling, unless specified in this operating instructions.



### Maintenance

Clean the cabinet, panel and controls with a soft cloth lightly moistened with mild detergent solution. Do not use any type of abrasive pad, scouring powder or solvent such as alcohol or benzene.

### Service

1. **Damage Requiring Service**—The unit should be serviced by qualified service personnel when:
  - (a) The AC power supply cord or the plug has been damaged; or
  - (b) Objects have fallen or liquid has been spilled into the unit; or
  - (c) The unit has been exposed to rain; or
  - (d) The unit does not appear to operate normally or exhibits a marked change in performance; or
  - (e) The unit has been dropped, or the enclosure damaged.
2. **Servicing**—The user should not attempt to service the unit beyond that described in the operating instructions. All other servicing should be referred to an authorized service personnel. (Only for U.S.A.)  
Call 1-800-545-2672 for the address of an authorized factory servicenter.

## Power Sources

### Operating unit on AC power A

### Operating unit on battery power (Not included)

Install memory batteries first (see below.)

### Battery installation and removal B

Place unit on a soft cloth when installing and removing batteries to avoid damaging the front panel.

- ① Disconnect the AC power cable.
- ② Open the battery cover on the rear panel.
- ③ Install batteries in the order indicated in the diagram.

Remove batteries by inserting finger into hole on the bottom of the unit and pushing out. C

### Battery life D

When the power/battery check indicator goes off (or dims) during play, replace all the batteries with new ones.

### Memory batteries (Not included)

#### What is memory?

Memory is the information which can be programmed into the unit such as:

- Time
- Timer programming
- CD programming
- Radio stations

If memory batteries are not used, the memory is cancelled at the following times.

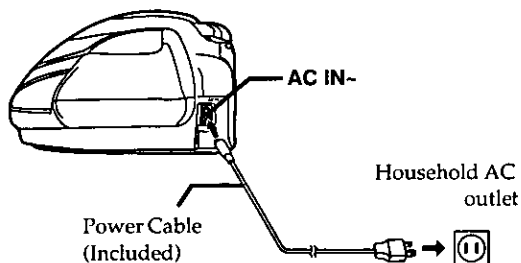
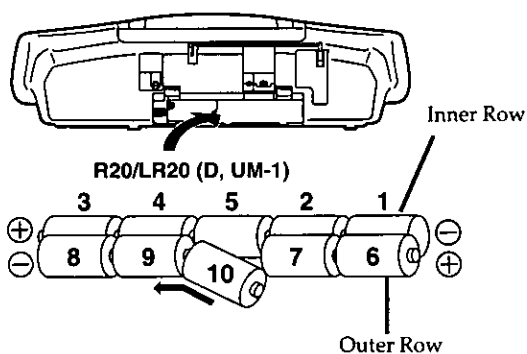
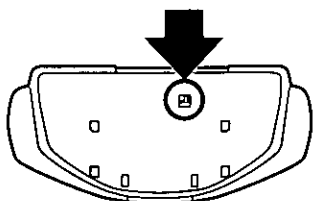
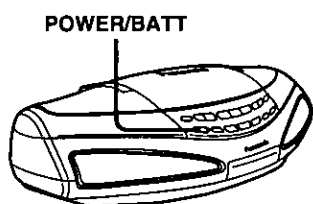
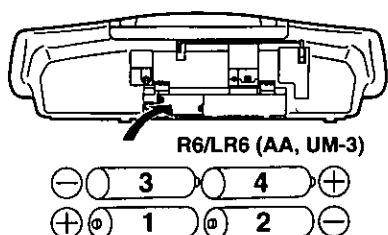
- In electric failures
- When the cable plug is removed from the AC outlet
- When, using batteries as the power source, cable is inserted into the unit while disconnected from the AC outlet

### Battery installation and removal E

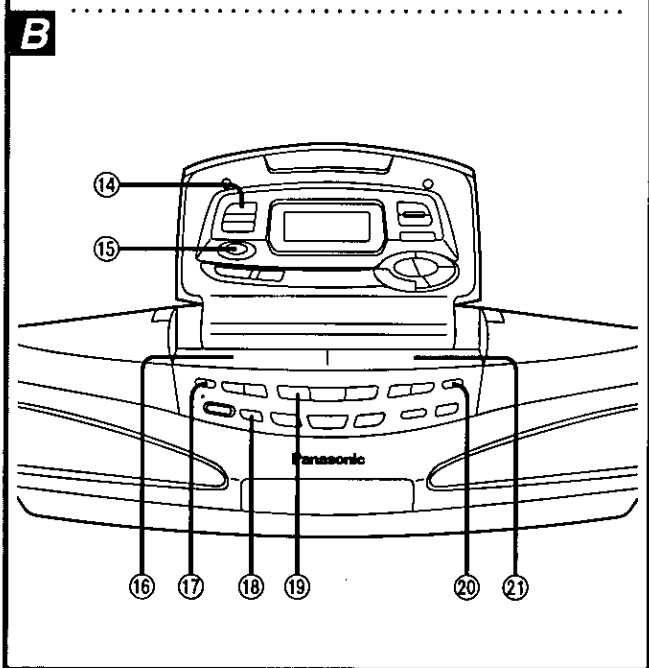
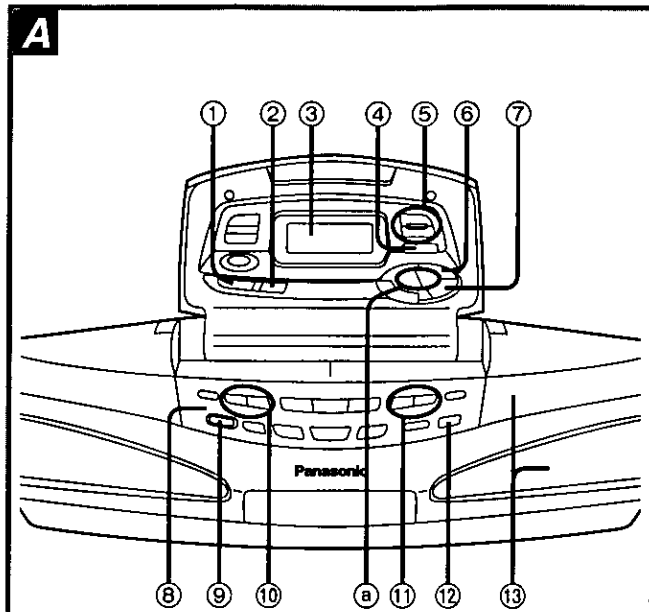
Press the negative end of the number 4 battery to remove batteries.

### Replacing batteries

- The service life of these batteries is approximately one year.  
To preserve the memory contents, connect the power cable to the household AC outlet before replacing all the memory batteries with new ones.
- When disconnecting the power cable, first turn the unit off by pressing POWER.  
The service life of the memory back-up batteries is reduced if the power cable is disconnected from the household AC outlet with the power still supplied.

**A****B****C****D****E**

## Location of Controls



### Basic controls

Number	Designation	Reference Page
①	Sound virtualizer button (S.VIRTUALIZER)	17
②	Preset equalizer button (PRESET EQ)	17
③	Display panel	
④	Recording timer programming button (REC TIMER)	26
⑤	Play timer programming button (PLAY TIMER A, B)	24
⑥	Timer time adjustment button (TIMER ADJUST)	24, 26
⑦	Clock time adjustment button (CLOCK ADJUST)	9
⑧	Power/battery life check indicator (POWER/BATT)	5
⑨	POWER switch	5
⑩	Volume control buttons (VOLUME +, -)	
⑪	Top panel open/close buttons (TOP PANEL OPEN ▲, CLOSE ▼)	8
⑫	Remote control signal sensor (SENSOR)	8
⑬	Speaker	

Button ⑧ (-/|◀◀, +/▶▶) functions change according to the operation mode when pressed.

Mode	Function	Page
Time adjustment	Setting time	9
Radio	Selecting station	12
CD	Selecting tracks for programming	16

### Cassette deck controls

Number	Designation	Reference Page
⑭	Tape edit button (TAPE EDIT)	22
⑮	Record/record pause button (●/●    REC/REC PAUSE)	19
⑯	Deck 1	
⑰	Deck 1 eject button (▲ DECK 1)	
⑱	Deck1/2 select button (DECK 1/2)	10
⑲	Cassette play/direction button (◀ ▶ PLAY/DIR)	10
⑳	Deck 2 eject button (▲ DECK 2)	10
㉑	Deck 2	

**Tuner/CD controls**

A

Number	Designation	Reference Page
22	CD recording mode button (CD REC MODE) . . .	20, 21
23	Band button (BAND) . . . . .	12
24	CD tray . . . . .	14
25	CD play/pause button (▶/⏸ PLAY/PAUSE) . . . . .	14
26	CD tray open/close button (▲ CD OPEN/CLOSE) . . . . .	14

**B** Button (b) (■ STOP) functions change according to the operation mode when pressed.

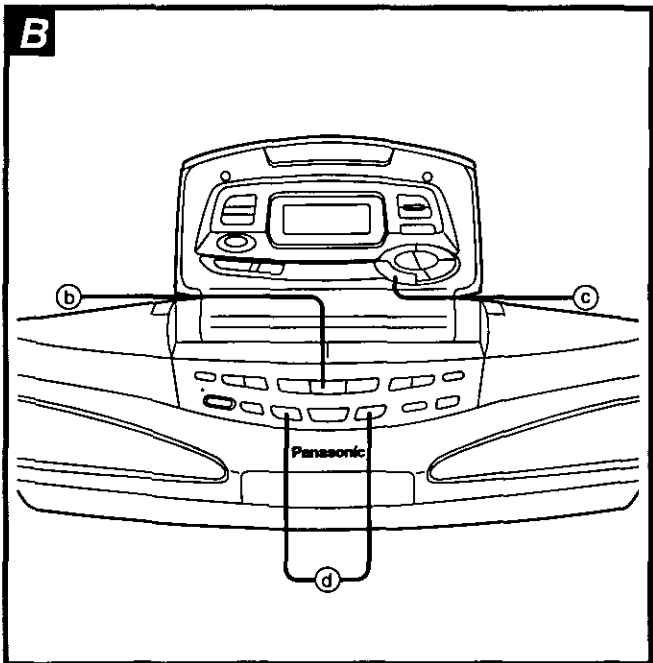
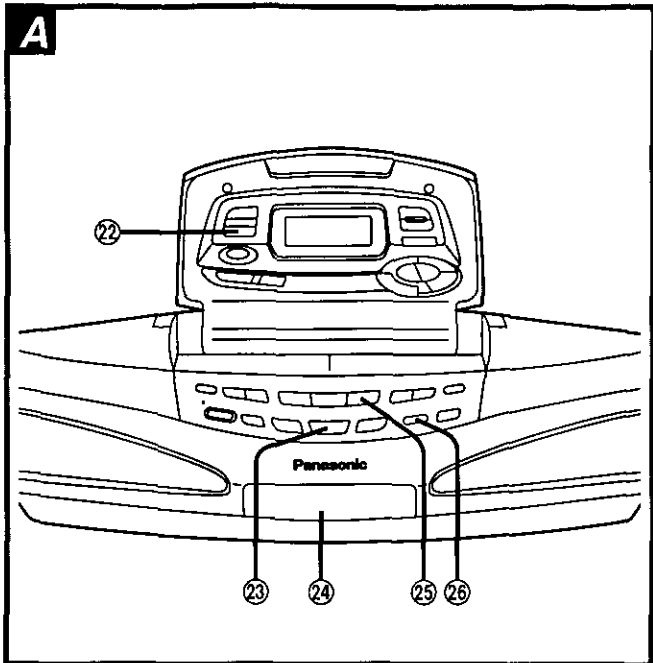
Mode	Function	Page
Tape play/ CD play	Stop play	10 14
Tape stop/ CD stop	Selects between CD and cassette (each time it's pressed)	10 14

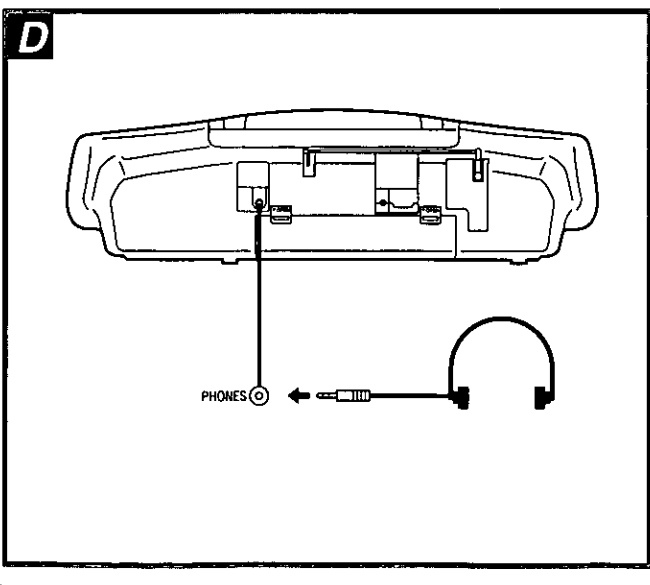
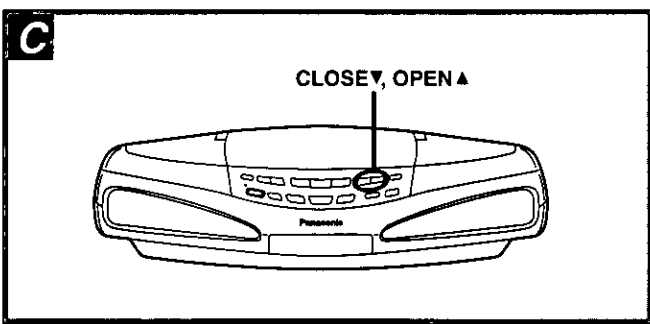
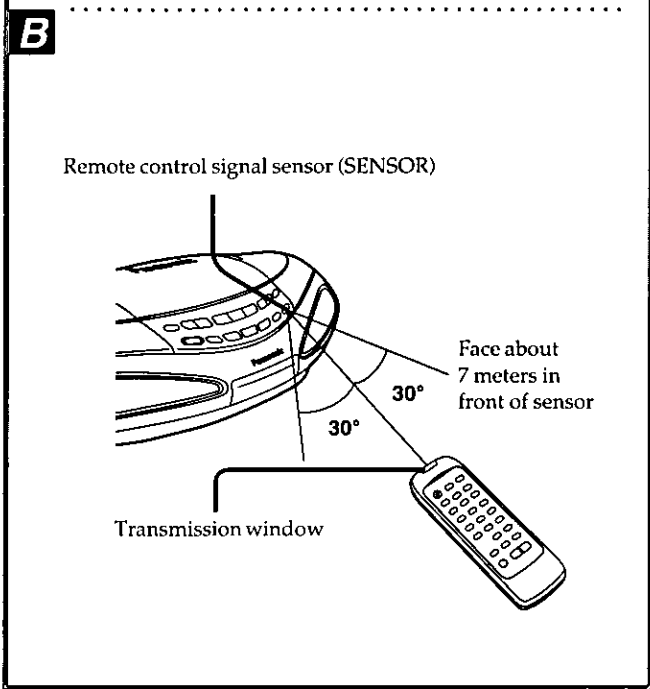
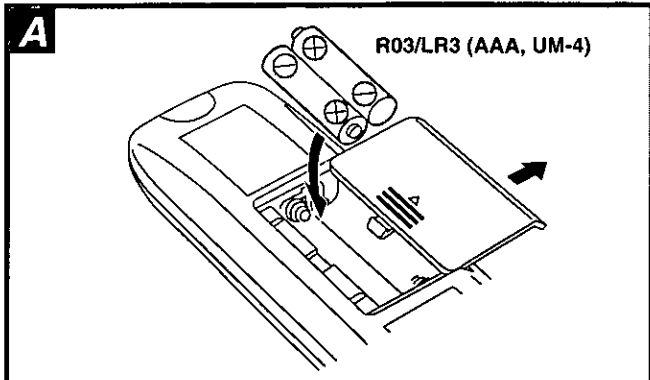
Button (c) (•MEMORY/◻ CLEAR) functions change according to the way the buttons are pressed.

Press	Function	Page
Once	Program	16
Continuously	Cancel programming	16

Button (d) (✓/◀◀ REW [TPS]/CD, ▲/▶▶ FF [TPS]/CD) functions change according to the operation mode when pressed.

Mode	Function	Page
Tape stop	Fast forward, rewind	11
Tape play	Return to the beginning of the track	11
Radio	Select preset station	13
CD stop	Select track	14
CD play	Skip track, fast forward, rewind	14





**Concerning the Remote Control**

**Battery (not included) installation and removal <sup>A</sup>**

Remove the batteries by pulling the positive side of the battery up.

**Battery life**

The battery life is about one year. Although the battery life varies depending on how often the device is used, the batteries should be replaced about once every year on the average. The batteries should be replaced if commands from the remote control transmitter do not operate the unit even when transmitter is held close to the front panel.

**Correct method of use <sup>B</sup>**

**Operation caution**

- Do not expose the remote control signal sensor to direct sunlight or bright fluorescent lighting.
- Keep the remote control signal sensor and end of the remote control free from dust.

**Opening/Closing the Top Panel <sup>C</sup>**

Press TOP PANEL OPEN ▲ to open panel.  
Press TOP PANEL CLOSE ▼ to close the panel.

When this unit is operated on battery power, the panel cannot be opened or closed by pressing OPEN or CLOSE on the remote control in the unit off mode. Turn the unit on first by pressing POWER on the main unit before opening or closing the panel.

To prevent fire or other mechanical difficulties, do not place objects on top of the unit.

**Using Headphones <sup>D</sup>**

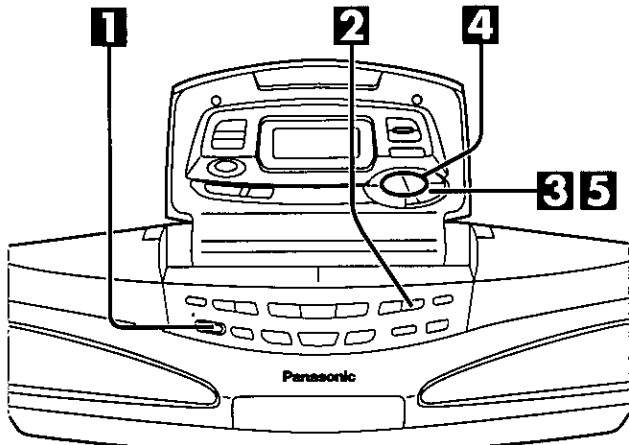
Lower the volume and connect the headphones (not included).

Plug type: 3.5 mm stereo

**Note**  
Avoid listening for prolonged periods of time to prevent hearing damage.



## Setting the Clock



The clock has a 12-hour display.  
**Example: Setting the clock to 4:20 P.M.;**

- 1** Press **POWER**.  
 (This turns the unit on.)
- 2** Press **TOP PANEL OPEN ▲** to open top panel.
- 3** Press **CLOCK ADJUST**.
- 4** Press **+ / ►►** or **- / ◄◄** to show desired time.  
 The time display can be changed in one minute units by tapping the buttons, and quickly by holding down the buttons.
- 5** While the time display is flashing;  
 Press **CLOCK ADJUST**.  
 The clock now starts operating, and the display returns to its original status.

To display the clock (When the unit is on): **■**  
 (Available only from the remote control)

Press **DISPLAY** when the unit is on.

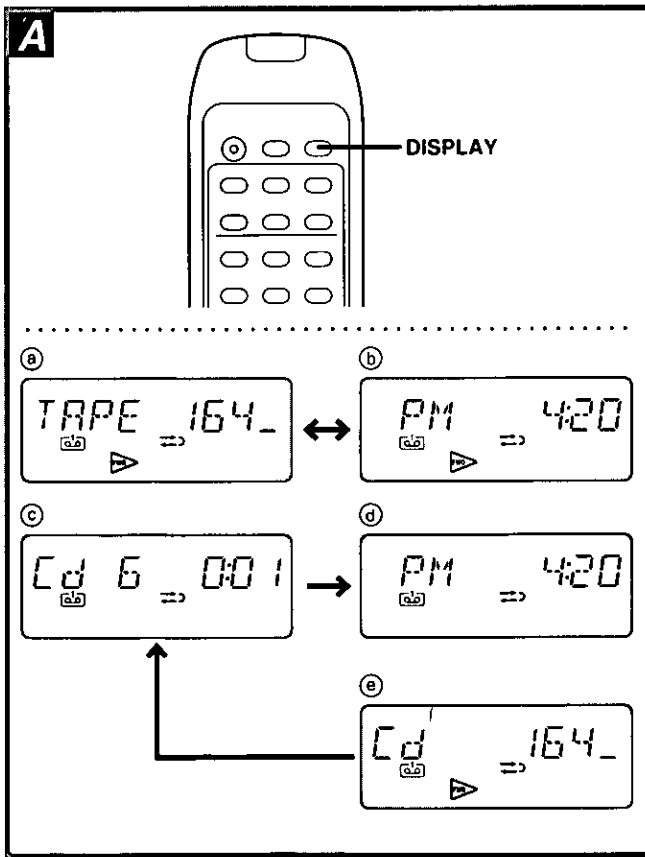
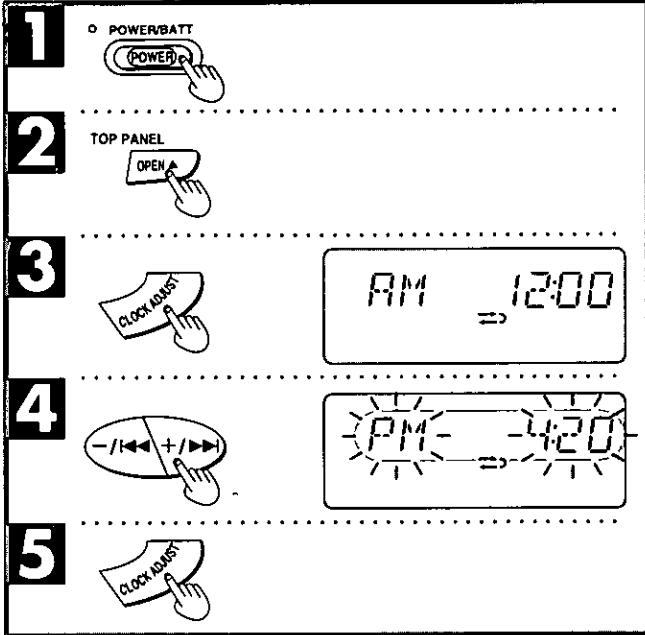
## Selecting the Display **■**

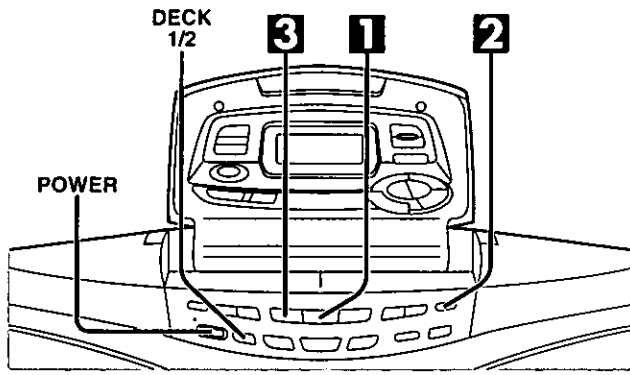
(Only from the remote control)

Press **DISPLAY** when the unit is on.  
 The display changes each time the button is pressed.

- When using the cassette
  - Ⓐ Tape counter
  - Ⓑ Present time
- When using the CD or radio
  - Ⓒ Play status/Frequency
  - Ⓓ Present time
  - Ⓔ Tape counter

“———” appears on the tape counter display when a cassette has not been inserted.





**1** Indicates no tape has been loaded

SELECTOR  
STOP

TAPE

---

**2**

DECK 2

Side to be played back facing up

Insert the tape with the exposed tape facing you.

---

**3**

TAPE  
PLAY/DIR

Tape travel direction Indicator

TAPE 00 1-

**A**

DECK 1/2

The deck corresponding to the lighted deck indicator (1 or 2) can be operated.

TAPE 000

**B**

C-RESET

C-RESET

Tape counter

TAPE 000

## Listening to Cassettes

Tapes can be played back on either deck 1 or deck 2. Normal, high position and metal tapes can be used.

Press **POWER**.  
(Only when the batteries are used for the power supply)

**1** Press **STOP** to select the cassette mode.

CD ↔ TAPE

(The display changes each time the button is pressed.)

**2** Press **DECK 1** or **DECK 2**, load the tape and close the lid.

The direction is automatically set to play the top side (▶ is displayed).

**3** Press **▶▶**.

"FWD" is displayed and play begins. ("REV" is displayed when play begins while ◀ is displayed.)

▶: The side which is facing up is played back.

◀: The reverse side is played back.

**To stop play:**

Press **STOP**.

**To listen to the other side of the tape:**

Press **▶▶** during playback.

**Auto**

Pressing **▶▶** automatically turns the unit on, and if a tape is inserted, begins play (only when AC power is supplied).

## Changing the operation deck

The deck loaded last is automatically selected.

Press **DECK 1/2** to select deck 1 or 2. **A**

**Note**

- When one deck is fast forwarding or rewinding and the other is selected and play begun by pressing **▶▶**, fast forwarding or rewinding stops.
- When one deck is playing and the other is selected and **▶▶** or **◀◀** pressed, play stops.

## To reset the tape counter to "000"

(Available only from the remote control)

Press **C-RESET**. **B**

**Types of tapes which can be played on this unit:**

The unit automatically identifies type of tape.

Normal position/TYPE I	○
High position/TYPE II	○
Metal position/TYPE IV	○

## Listening to Cassettes

### Fast forwarding and rewinding a cassette

Press FF [TPS] or REW [TPS] when cassette is in stop mode.

	Rewind	Fast forward
Main unit	∨/◀◀	∧/▶▶
Remote control	REW [TPS]	FF [TPS]

### Finding the beginning of a track (TPS: Tape Program Sensor)

Press the button once for each track to be skipped (up to 9 tracks).

Press during play mode.

	Backward	Forward
Main unit	∨/◀◀	∧/▶▶
Remote control	REW [TPS]	FF [TPS]

### Notes

- Since the blank spaces between tracks are used for locating the beginning of each track, the TPS function may not operated in the following cases:

- When the blank spaces are 4 seconds or less.

- When there are no blank spaces on the tape (such as when the recording has been made from a microphone, etc.).

- When there are parts of a track which have been recorded at a particularly low level or which have not been recorded at all (such as with classical music).

- When 10 or fewer seconds have elapsed since the beginning of a track or when there are 10 or fewer seconds until the beginning of the next track.


- When a tape is recorded with fade-ins or fade-outs.

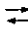
- When you press ◀▶ to start playback on one deck during fast forwarding or rewinding on another deck, fast forwarding or rewinding will be stopped.

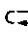
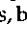
### Selecting the reverse mode

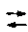
(Available only from the remote control)

Press REV MODE to select the mode. 

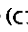
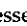
The display changes each time the button is pressed. 

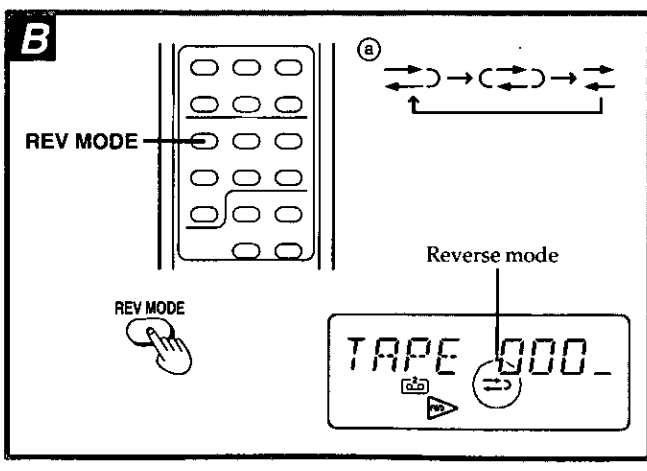
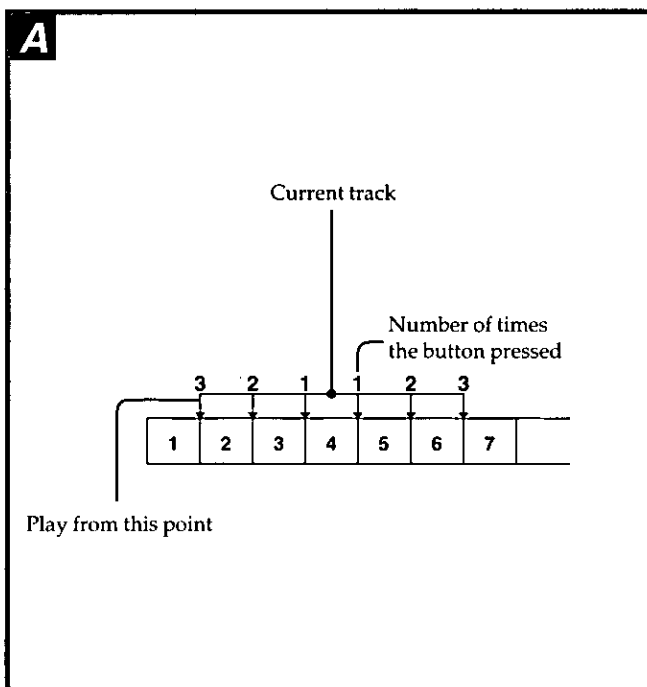
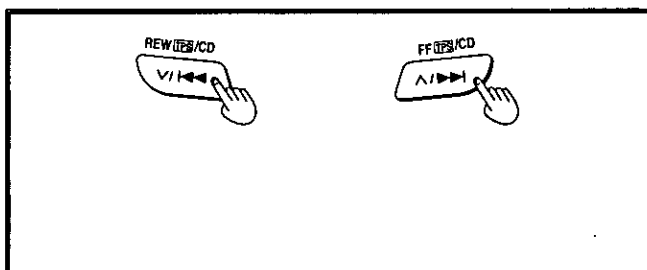
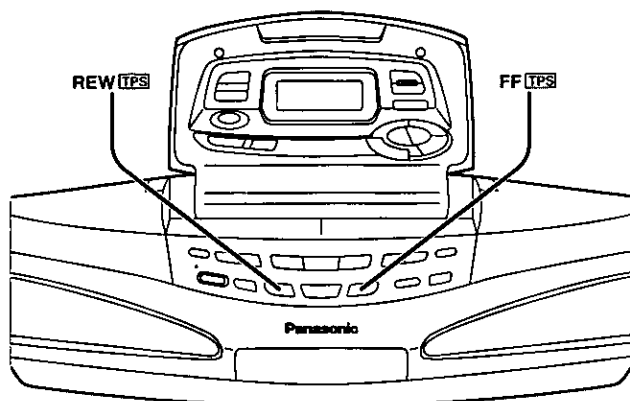
: The tape plays from the side facing up to reverse side, and then it stops automatically.

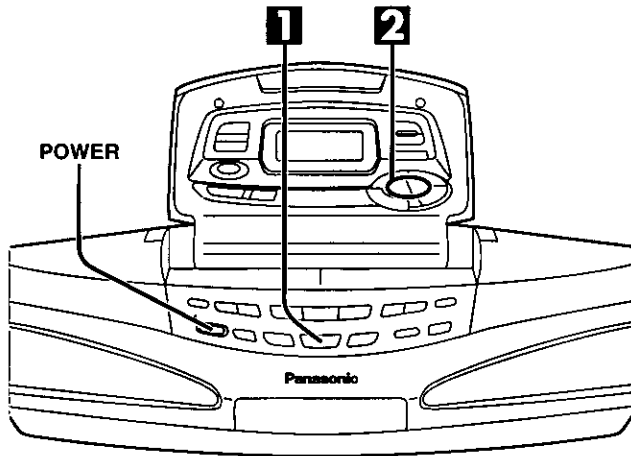
: The tape plays repeatedly until  (STOP) is pressed. (When cassettes are inserted into both decks, both play continuously.)

: Only one side of the tape is played, and then the tape stops automatically.

### To listen continuously to two tapes in succession:

- Load tapes into deck 1 and deck 2.
- Select the reverse mode ().
- Select which deck is to start tape by pressing DECK 1/2.
- Press ◀▶ to start the tape play.  
The tapes play repeatedly until  (STOP) is pressed.





1

TUNER  
BAND
ⓐ AM → FM

F M 87.9

---

2

F M 88.1

A

---

B

C

F M 87.9

---

D

F M 87.5

## Listening to the Radio

### Press POWER.

(Only when the batteries are used for the power supply)

### 1 Press BAND to display "AM" or "FM".

The display changes each time the button is pressed. ⓐ

### 2 Press +/-▶▶ or -/◀◀ to select the station.

+ / ▶▶ : The frequency is increased.

- / ◀◀ : The frequency is reduced.

Adjust the frequency until **TUNED** is displayed on the panel (the display blinks or does not light when reception is weak).

#### Automatic tuning:

Keep + / ▶▶ or - / ◀◀ depressed until the frequency display starts to change. A station with good reception is automatically selected and the selection process then stops.

To stop automatic tuning, press + / ▶▶ or - / ◀◀ again.

#### Hint

- Pressing BAND will automatically turn the unit on and receive the broadcast which was previously tuned (only AC power is supplied).

- The automatic tuning may stop without a station having been tuned in when interference is encountered on neighboring airwaves. In such a case, tune in a station by tapping + / ▶▶ or - / ◀◀.

## Adjusting the antenna

### For FM reception: **A**

Adjust the length and direction of the whip antenna.

### For AM reception: **B**

Adjust the direction in which the main unit is pointed.

### For your reference:

Radio broadcasts may be hard to receive in a moving vehicle or building because their signals are weak. In such cases, use the unit near a window.

## To change FM allocation (frequency display steps)

(Available only from the main unit)

By adjusting the allocation, this unit will be able to receive FM broadcasts allocated in 100 kHz steps.

### ① Press BAND to select AM.

### ② Press and hold BAND for approximately 5 seconds.

The frequency display will be returned to the minimum frequency of the FM band and the display will begin to flash. Keep holding the button for approximately 5 more seconds. ⓐ

### ③ When the display stops flashing and indicates a different frequency number, release BAND. **B**

To return to the original frequency, repeat steps 1 to 3 above.

#### Note

After changing the "allocation" setting, the frequencies you previously preset into the memory (see page 13) will be cleared.

## Listening to the Radio

### When interference of FM stereo reception occurs

(Available only from the remote control)

Set the sound to the monaural mode to reduce the noise.  
Press **ST/MONO/BP**.

The **MONO** display appears.

The monaural sound is set but noises are reduced and sound become clear.

To return to stereo sound, press **ST/MONO/BP** again to turn off the **MONO** display.

When the **MONO** display is off, FM stereo programs can be heard as stereo sound.

## Preset tuning

Once broadcast stations have been programmed, they can easily be turned in.

Up to ten FM and AM stations each can be programmed.


## Programming broadcast stations

(Available only from the main unit)

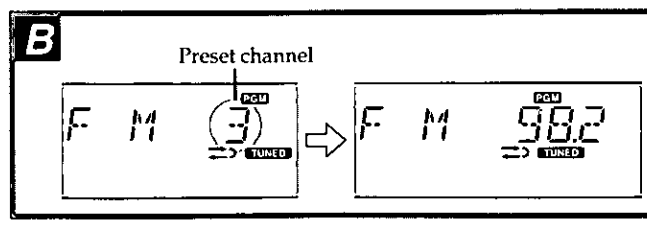
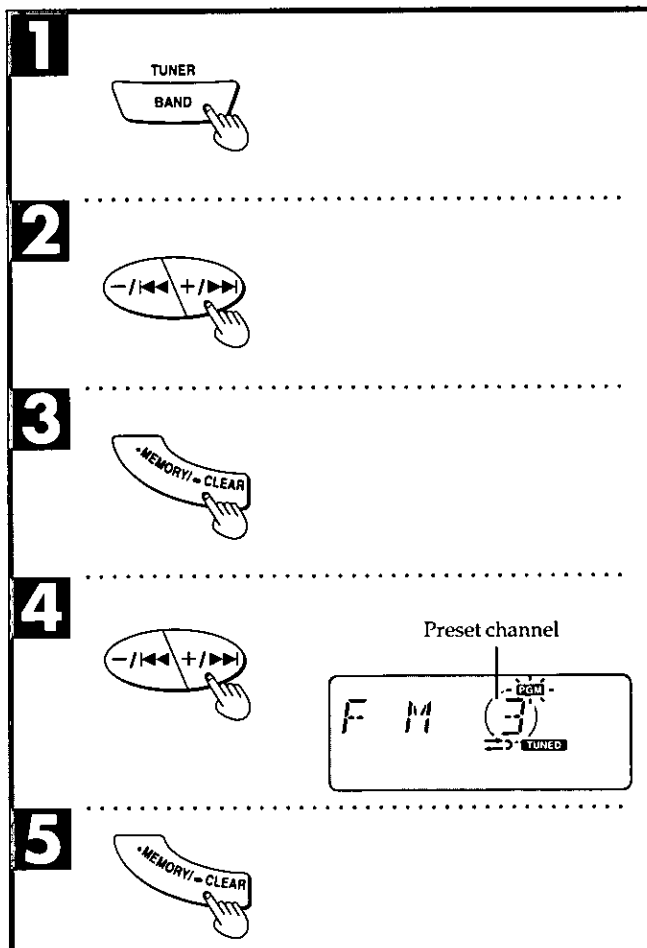
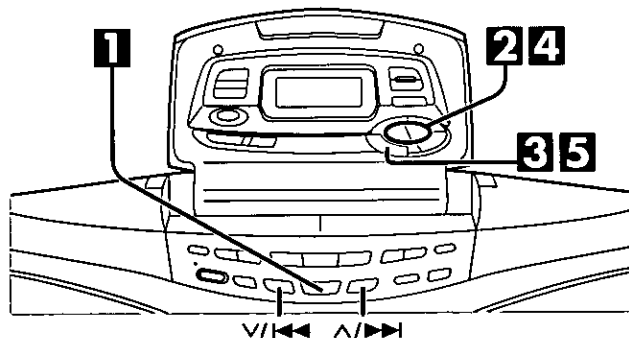
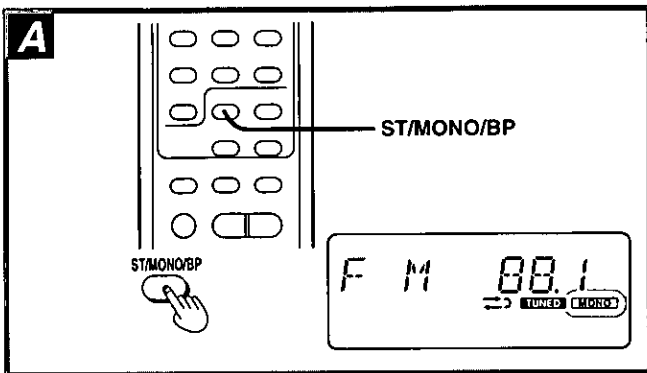
Preset radio stations on the FM, AM band.

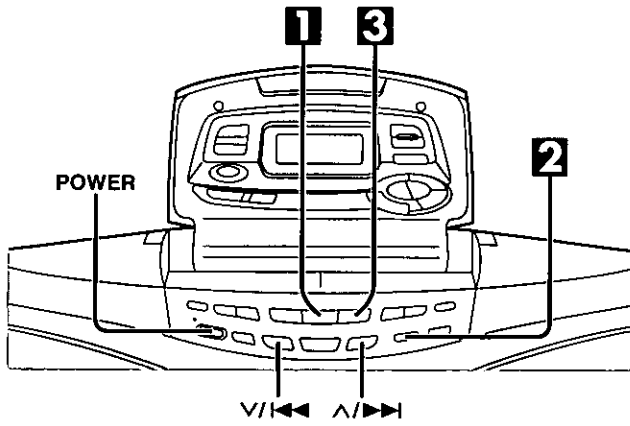
- 1** Press **BAND** to display "AM" or "FM".
- 2** Press **+ / >>>** or **- / <<<** to select the station.
- 3** Press **•MEMORY** once.  
**PGM** flashes.
- 4** While **PGM** is flashing, Press **+ / >>>** or **- / <<<** to display the preset channel to be programmed.
- 5** While **PGM** is flashing, Press **•MEMORY**.  
If the **PGM** indicator goes out during programming, return to step 3.
- 6** Repeat steps 2 to 5 to program other stations.

## Selecting the preset channel

- 1** Press **BAND** to display "AM" or "FM".
- 2** Select the preset channel. 

	Down	Up
Main unit	v / <<<	^ / >>>
Remote control	v	^





**1**

Indicates no CD has been inserted

**2**

Total play time

Total number of tracks

**3**

Elapsed time of tracks in play

Track number in play

## Listening to CDs

Press **POWER**.

(When using batteries for the power supply)

- 1** Press **■ STOP** to select the CD mode.  
 CD ↔ TAPE  
 (The display changes each time the button is pressed.)
- 2** Press **▲ CD OPEN/CLOSE**, insert a CD and press the **▲** again.  
 Insert the CD with the label facing up.
- 3** Press **▶/|| PLAY/PAUSE**.  
 Plays to the last track and automatically stops.

### To stop playing:

Press **■ STOP**.

Press **▶/||** to pause play.

Press **▶/||** to return to play mode.

### Note

If interference occurs to radios or televisions, place the unit as far as possible from this equipment.

### Hint

Pressing **▶/||** automatically turns the unit on, and if a CD is inserted, begins play (only when AC power is supplied).

## Skipping tracks

Press the button once for each track to be skipped.

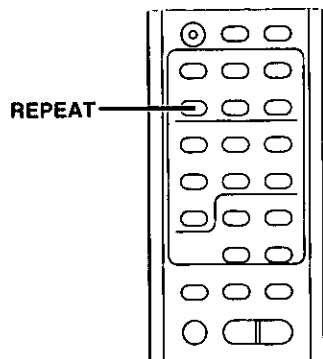
	Backward	Forward
Main unit	v/ <<	^/ >>
Remote control	<<	>>

## Fast forwarding and rewinding

Keep the button pressed during play or pause mode.

	Backward	Forward
Main unit	v/ <<	^/ >>
Remote control	<<	>>

## Listening to CDs



### Repeating tracks

(Only from the remote control)

**Press REPEAT.**

The display changes each time the button is pressed. ⓐ

**To repeat only one track:**

Press REPEAT to display . **A**

**To repeat all tracks on the CD:**

Press REPEAT to display . **B**

**To repeat programmed tracks:**

① Program desired tracks (steps 1 to 4 on page 16).

② Press REPEAT to display .

③ Press ▶/|| to begin play.

**To clear the repeat function:**

Press REPEAT to cancel or .

### Random play

(Only from the remote control)

**1** Press ■/CLEAR to select the CD mode.

**2** Press RANDOM when CD is in stop mode.

is not displayed if pressed when CD is in play mode.

**3** Press ▶/||.

All tracks play at random, and play automatically stops.

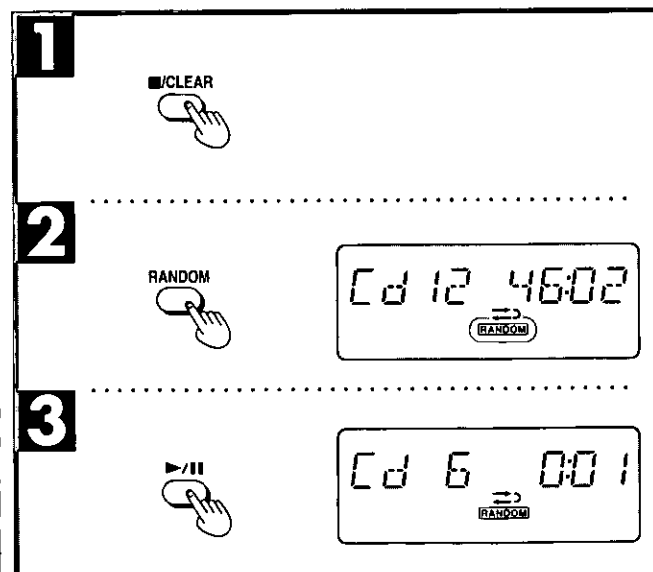
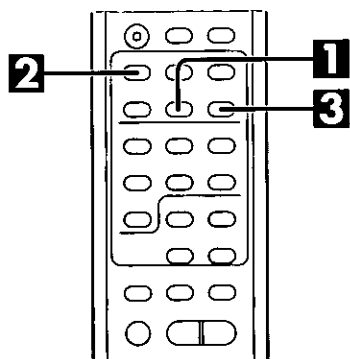
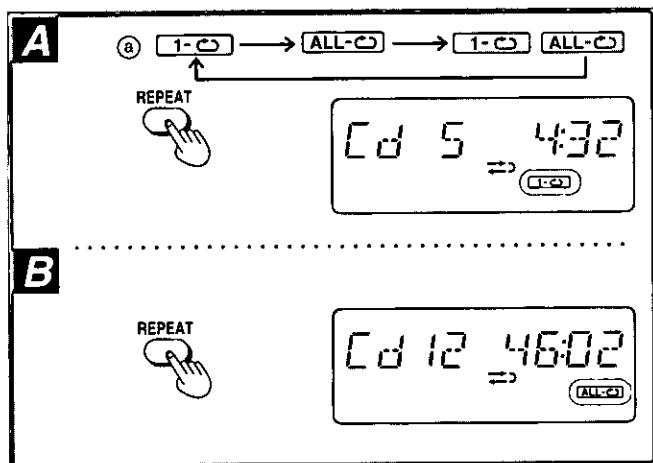
**To cancel random play:**

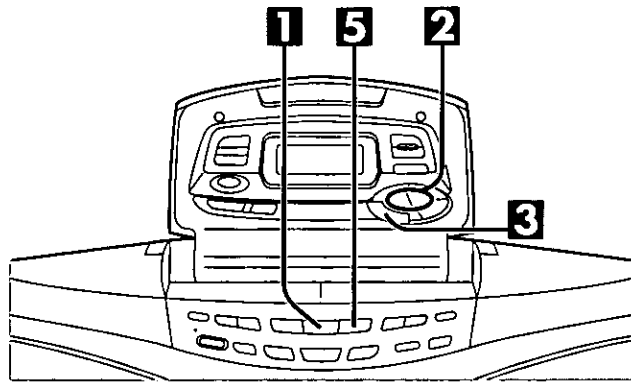
Press RANDOM to clear display.

• If cancelled during random play, the CD plays from the track in play to the end of the CD, and automatically stops.

#### Notes

- Random play cannot be used in combination with program play.
- Skipping to tracks which have already been played is not possible.
- Searching forward and backward are possible only within the track in play.





**1** SELECTOR  
STOP

---

**2** -/|||>> +/|||<<  
Track number Play time

---

**3** MEMORY/CLEAR

Programmed track Play sequence

---

**4** Total play time of programmed track

---

**5** CD  
PLAY/PAUSE

**A** PGM

**Listening to CDs**

**Selecting and listening to favorite tracks (Program play)**

Up to 36 tracks can be programmed.  
(Only from the main unit)

- 1** Press **■ STOP** to select the CD mode.  
When **RANDOM** is displayed, press RANDOM on the remote control to clear the display.
- 2** Press **+ / >>>** or **- / <<<** to select desired track.
- 3** Press **• MEMORY** to record the selection.
- 4** Continue programming by repeating steps 2 and 3.
- 5** Press **>>> / || PLAY/PAUSE**.  
Selected tracks play in the programmed sequence, and play automatically stops.

**To cancel program play:**

(From the main unit)  
Keep the **• MEMORY / ■ CLEAR** pressed when CD is in stop mode until "CLEAR" is displayed.  
(From the remote control)  
Press **■ / CLEAR** when CD is in stop mode to display "CLEAR".  
Program play can also be cleared by pressing **▲ CD OPEN/CLOSE**.

**When "—:—" is displayed:**

Total play time of the programmed tracks exceeds 120 minutes.

**When "FULL" is displayed:**

36 tracks have already been programmed. No further tracks can be programmed.

**To check programming:**

Press **^ / >>>** or **v / <<<** when CD is in stop mode.  
The track number and its play sequence can be checked each time these buttons are pressed.

**Memory retention of programmed tracks:**

Track programming is retained even if play is stopped or the unit is turned off.  
A displayed "P" indicates that programming is retained in the memory. **A**



## Changing the Sound Quality

### Selecting equalizer effects

Four types of sound quality can be selected.

Press **PRESET EQ** to select desired sound quality.

The displayed image of a sound quality effect changes each time the button is pressed.

- Ⓐ Gives added punch to rock and other music (XBS)
- Ⓑ Lightens pop and other music (CLEAR)
- Ⓒ Allows BGM enjoyment (SOFT)
- Ⓓ Enhances vocals (VOCAL)
- Ⓔ No sound quality effects used.

### Using the "live" effect (Sound Virtualizer)

The "live" effect allows enjoyment of the 3-D feeling of listening to live music. Compared with earlier surround sound systems, the sound virtualizer leaves middle-range sounds such as vocals clear and gives natural width and depth to music. Sound virtualizer is effective with stereo sound.

Press **S.VIRTUALIZER** to display **S.VIRTUALIZER**.

#### To cancel:

Press **S.VIRTUALIZER** to clear the **S.VIRTUALIZER** indicator.

#### •When listening through headphones

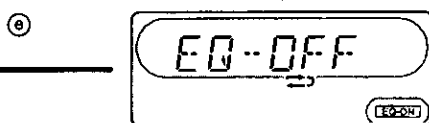
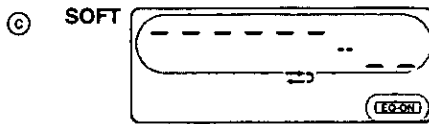
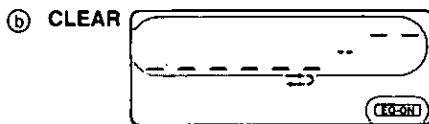
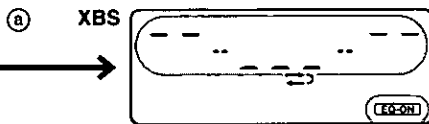
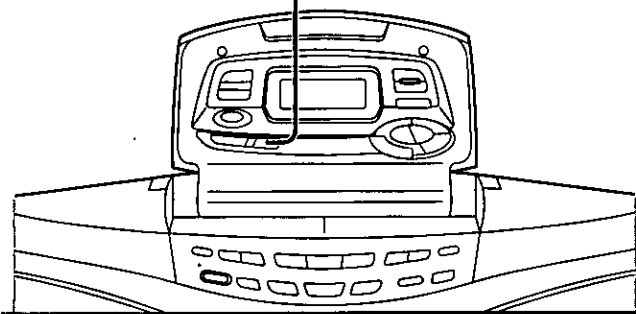
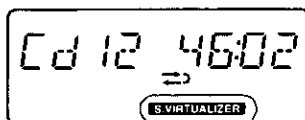
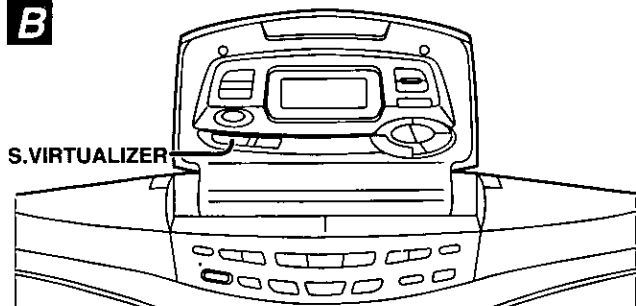
The effect is less discernable than through the unit speakers.

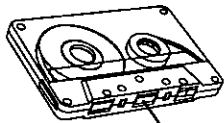
#### •When high sounds are felt to be too strong

High-range sounds are difficult to listen to with some kinds of music. In this case, adjust the music using the preset equalizer until music reaches a pleasant range.

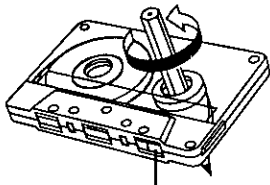
#### •When excessive interference in the FM stereo reception occurs

If interference increases, cancel the sound virtualizer effect.

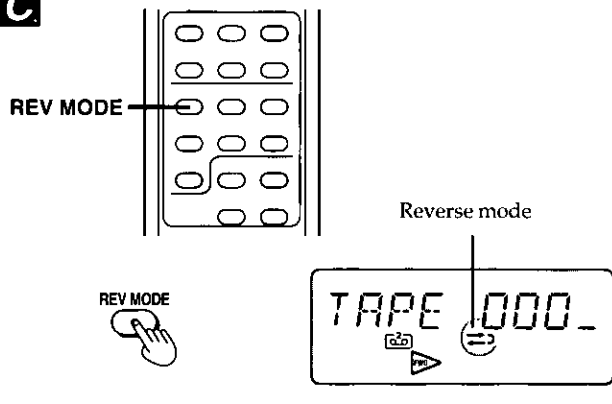
**A****PRESET EQ****B****S.VIRTUALIZER**

**A**

Insert the tape with the exposed tape facing you.

**B**

Leader tape (on which nothing can be recorded)

**C**

## Preparation for Recording

### Type of tape which can be used for recording

Automatically identifies the type of tapes.

Normal position/TYPE I	○
High position/TYPE II	○
Metal position/TYPE IV	×

This unit can not make a recording or erase correctly, if metal position tapes are used.

### Load the tape in deck 2 with the side to be recorded first facing up. **A**

The **A** automatically selected when the cassette is inserted with the side to be recorded facing up.

- **When recording from the beginning of a cassette**

Wind the leader tape out. **B**

- **When recording from the middle of a cassette**

Stop the cassette at the position where recording is to begin.

### Press REV MODE on the remote control to select the mode. **A**

**A** **B**: Records from the side facing up to the opposite side and automatically stops.

**A**: Records only one side of the cassette and automatically stops.

### Notes

- **You cannot operate deck 1 during recording.**

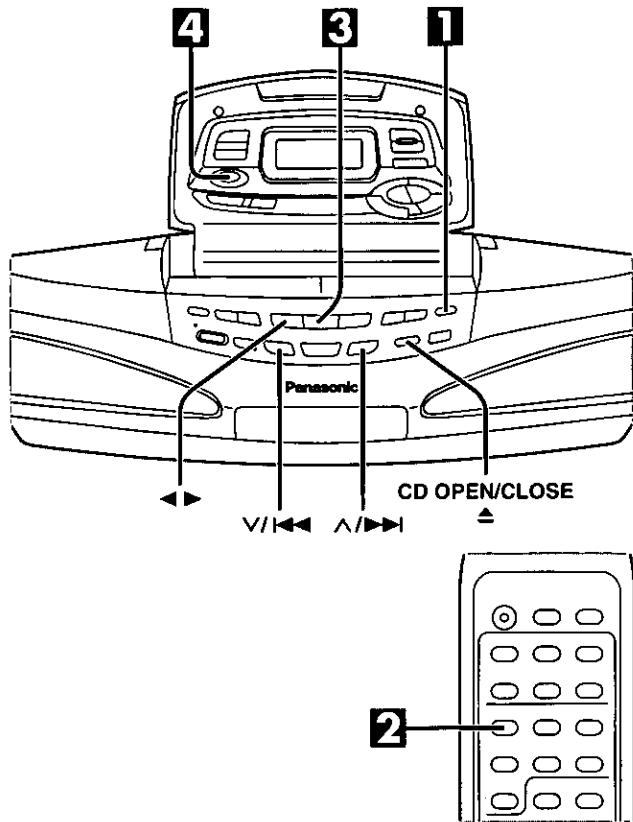
"E" is displayed when you attempt to operate deck 1.

- Any change made to the volume or sound quality during recording will not affect the recording.

- In order to prevent trouble caused by flat batteries, it is recommended that you either supply power to the unit from the household AC outlet or replace all the batteries with new ones when you are recording something which is important to you.

- The recording level is set automatically.

## Recording from CD (Only Deck 2)



Recording and CD play automatically begin simultaneously. Getting ready: insert the CD.

- 1** Open the cassette cover on deck 2 and insert the cassette with the side to be recorded facing up.  
Tape length must be longer than the CD play time.
- 2** Select the mode with REV MODE on the remote control.
- 3** Press ■ STOP to select the CD mode.  
CD ↔ TAPE  
(The display changes each time the button is pressed.)
- 4** Press ●/● II REC/REC PAUSE.  
"FWD REC" is displayed and recording and CD play begin simultaneously. "REV REC" is displayed when recording begins while ◀ is displayed.

### To stop recording:

Press ■ STOP.

### To pause recording:

Press ●/● II (CD will also pause).

To begin recording again, press ●/● II.

## After recording

When CD play is finished, the cassette simultaneously stops.

### To continue recording a different CD on the same cassette:

- ① Press ▲ CD OPEN/CLOSE and replace the CD.
- ② Press ●/● II.

## Recording favorite tracks

Program desired tracks (refer to steps 1 to 4 on page 16) after step 3.

## To skip tracks not to be recorded

- ① Press ●/● II during recording.  
CD will also pause.
- ② Press ^ / ▶▶ or v / ◀◀ to display the number of the next track to be recorded.
- ③ Press ●/● II to begin recording again.

## To change cassette direction during recording

Press ◀▶ when ▶ is displayed.

When ◀ is displayed, press ●/● II to pause, then press ◀▶ and ●/● II again.

**1**

**2**

**3**

**4**

Deck 2 recording direction indicator

Light (Flashing during pause)

## Recording from CD

### Easy CD recording (Auto)

Records all tracks or programmed tracks of a CD in programmed order.

- It is not necessary to rewind the cassette. Recording always begins from the beginning of the side facing up.
  - If the side ends in the middle of a track, the track which was cut off is recorded on the opposite side from the beginning.
- Getting ready: insert the CD.

**1** Press **■ STOP** to select the CD mode.

**2** Press **CD REC MODE** to display "AUTO".

The display changes each time the button is pressed. ③  
The necessary tape length will be displayed. (Example: Tape of 47 minutes or more necessary to record all tracks.)

**When "C——" is displayed:**

Auto-CD recording is not possible.  
Follow the steps on page 19.

**3** Insert a cassette which is longer than that displayed in step 2.

Insert with the side to be recorded first up.

**4** Press **●/● II REC/REC PAUSE**.

Automatically rewinds, and recording from the first track begins after a 10 second interval of silence.  
Reverse mode is displayed as  $\Rightarrow$ .

- ① Rewinding tape
- ② Recording 10 second interval of silence
- ③ Recording begun

**To stop recording (CD will also stop):**

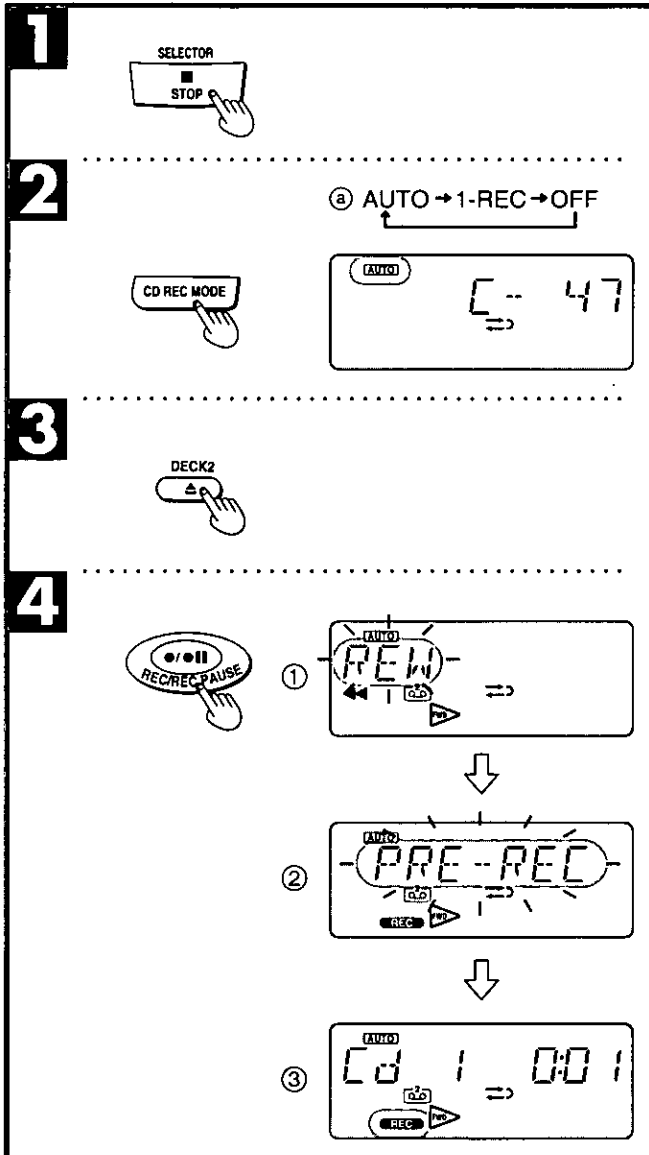
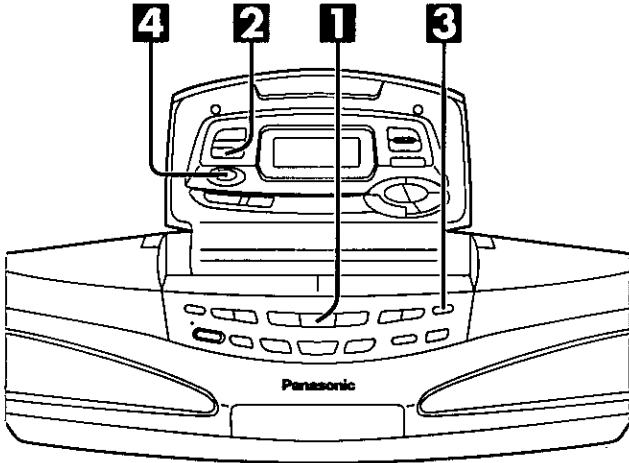
Press **■ STOP**.

**To record favorite tracks:**

Program desired tracks (refer to steps 1 to 4 on page 16) after step 1.

**Note**

Auto CD recording cannot be used in combination with random play (refer to page 15).



## Recording from CD

### One track recording (1 TRACK)

Records one track from the CD and stops. Convenient for recording one track from many CDs.

Recording can begin from any place on the tape.

Getting ready: insert a CD.

#### 1 Open the cassette cover on deck 2 and insert cassette with the side to be recorded facing up.

Recording direction is automatically set to begin from the side facing up (the ► indicator is displayed).

Find the position on the tape where recording is to begin.

#### 2 Press ■ STOP to select the CD mode.

#### 3 Press CD REC MODE to display "1-REC".

The display changes each time the button is pressed. ③

#### 4 Press ▲/▶▶ or ▼/◀◀ to select the track to be recorded.

Omit this step when recording the first track on the CD.

#### 5 Press ●/● || REC/REC PAUSE.

CD play and recording begin simultaneously. Records only one track and stops.

Reverse mode is displayed as ⇄.

• If the track is interrupted when the end of the cassette is reached, recording automatically begins again from the beginning of the track on the opposite side (if recording was begun on the opposite side, recording stops at the end of the present side).

#### To continue recording with another CD:

Press ▲ CD OPEN/CLOSE, insert a CD and follow steps 4 and 5.

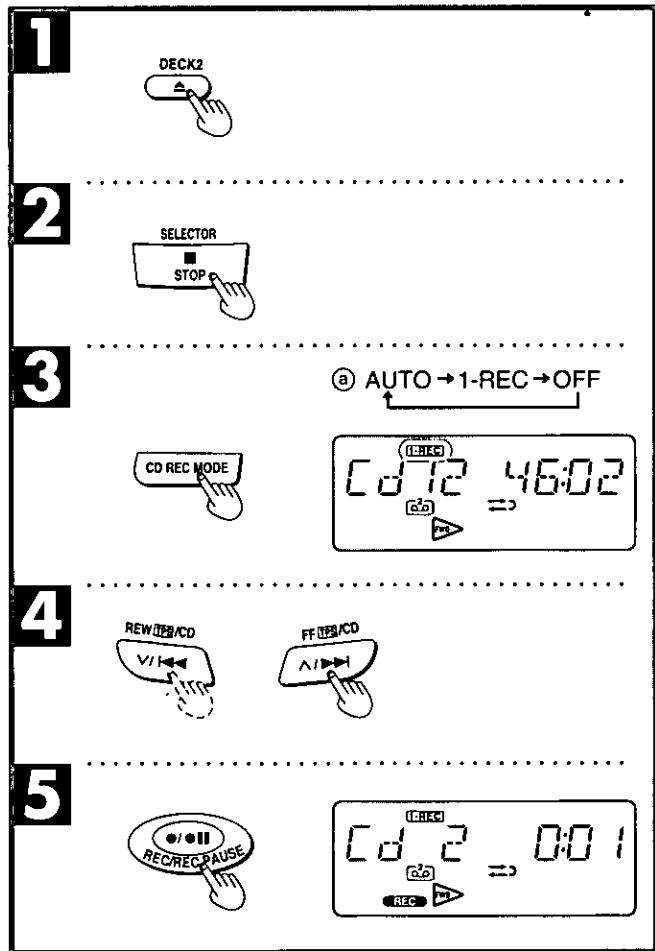
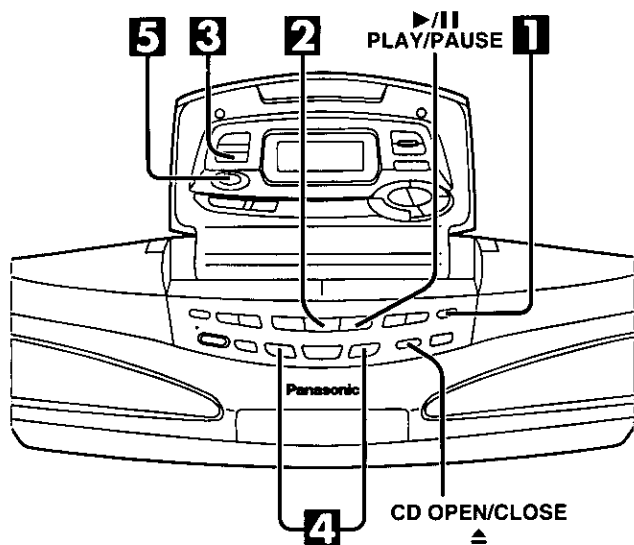
#### To stop recording (CD will also stop):

Press ■ STOP.

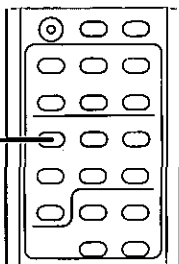
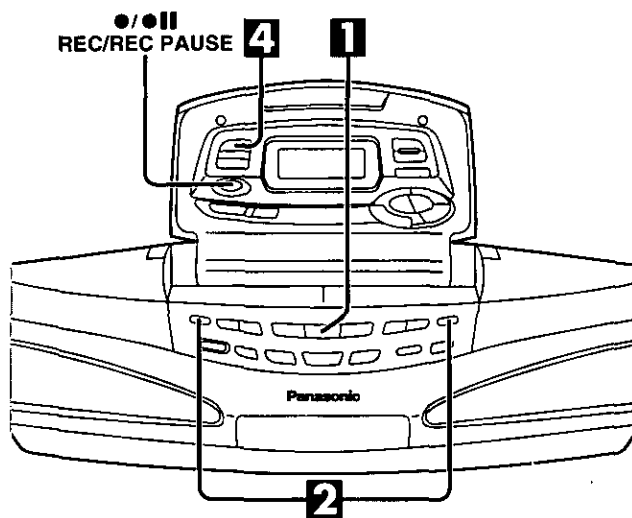
#### Hint

Try listening to the track to check the type of song it is before recording. Press CD REC MODE to display 1-REC, then ►/|| to play the CD.

Press ●/● || to record a song you like during CD play. The track is recorded from the beginning.



## Recording Tape to Tape



- 1** Press ■ STOP to select the cassette mode.  
CD ↔ TAPE  
(The display changes each time the button is pressed.)
- 2** Insert the playback cassette into deck 1 and the recording cassette into deck 2.
- 3** Press REV MODE on the remote control to select the mode.
- 4** Press TAPE EDIT.  
Play on deck 1 and recording on deck 2 begin simultaneously.

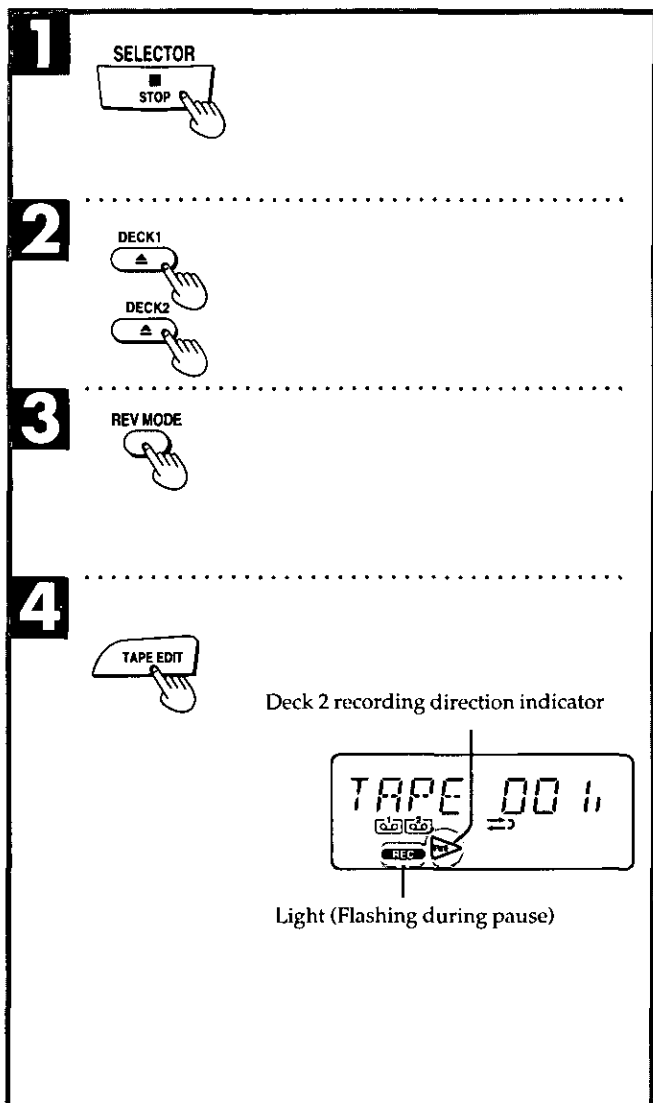
### To stop recording:

Press ■.

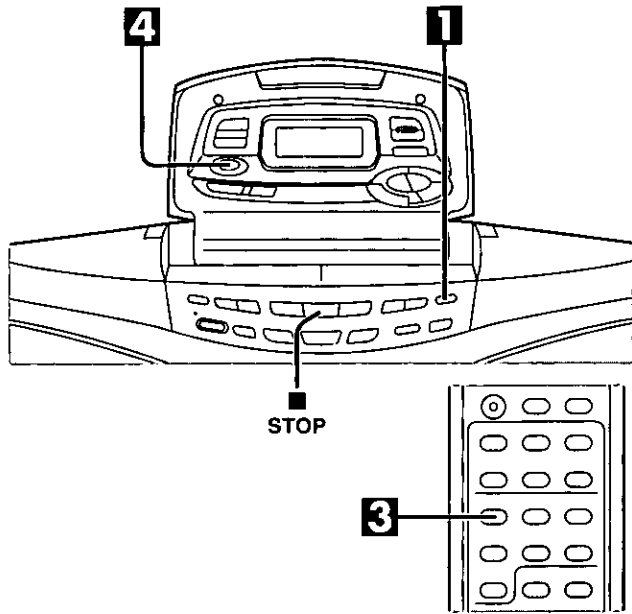
### To temporarily stop recording:

Press ●/●|| REC/REC PAUSE.

To resume recording, press TAPE EDIT.



## Recording Radio Programs (Only Deck 2)



- 1** Insert cassette into deck 2 with the side to be recorded facing up.
- 2** Select desired radio station.  
(Refer to pages 12 to 13.)
- 3** Select the mode with REV MODE on the remote control.
- 4** Press **●/● || REC/REC PAUSE**.  
"FWD REC" is displayed and recording begins. "REV REC" is displayed when recording begins while **◀** is displayed.

### To stop recording:

Press **■**.

### To stop recording temporarily:

Press **●/● || REC/REC PAUSE**.

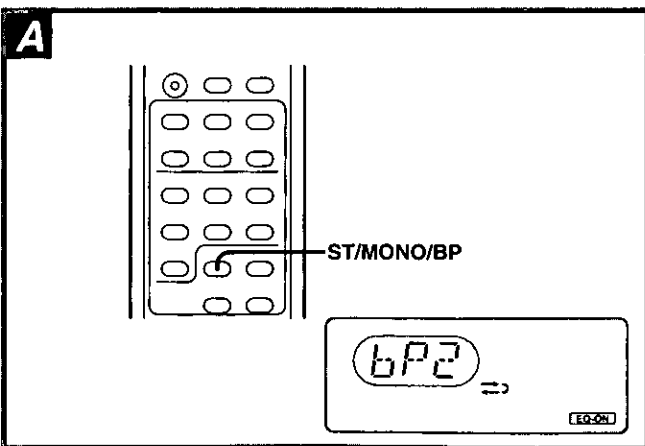
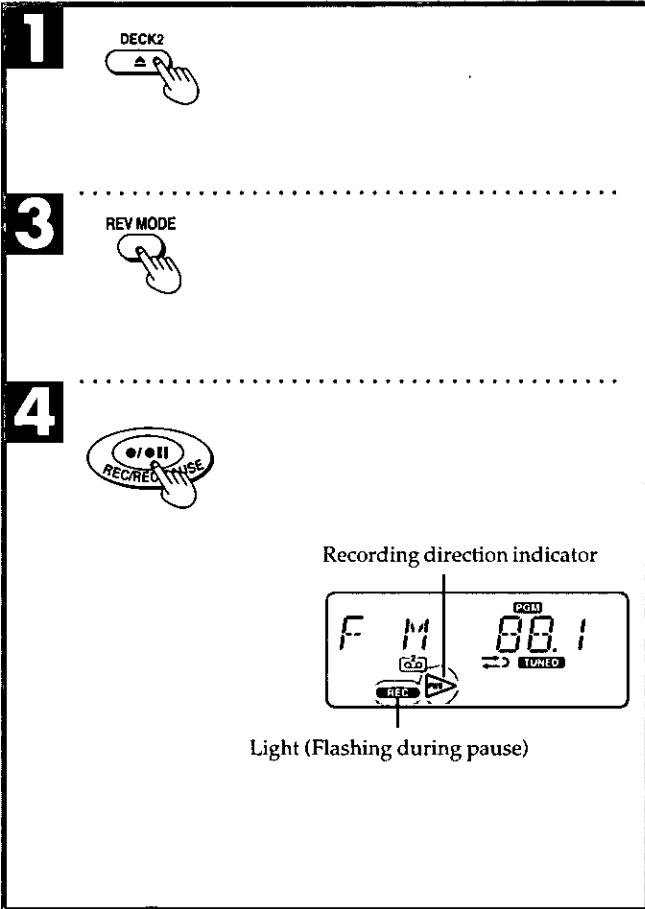
To resume recording, press **●/● || REC/REC PAUSE**.

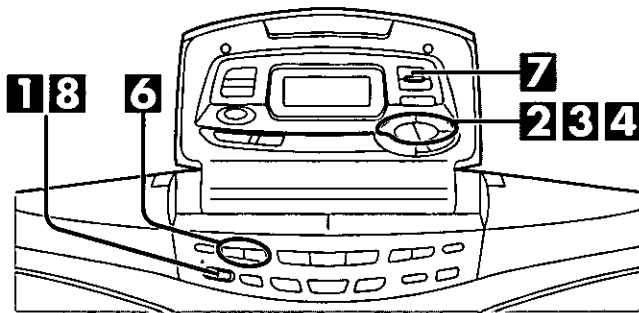
### When there is too much interference during AM recording **◻**

(Available only from the remote control)

### Press **ST/MONO/BP**.

Select bP1 or bP2 whichever yields less noise.





**1** POWER/BATT (POWER)

**2** TIMER ADJUST

**3** ① -/|<< +/|>> ② TIMER ADJUST

**4** ① -/|<< +/|>> ② TIMER ADJUST

**6** VOLUME

**7** PLAY TIMER A

**8** POWER/BATT (POWER)

Flashes at programmed time

10:45 → Cd 1 00:01

## Using the Play Timer

The clock has a 12-hour display.

Timers A and B can be set and used separately for the play start/finish times.

Example: Setting CD play from 7:00 A.M. to 8:30 A.M. on play timer A.

### Setting the start and finish times

- 1** Press POWER to turn the unit on.
- 2** Press TIMER ADJUST to set "ON [A]" or "ON [B]" flashing.  
 → ON [A] → OFF [A] → ON [B] → OFF [B] → Original Display ← OFF [REC] ← ON [REC] ←  
 (The display changes each time the button is pressed.)
- 3** ① Press +/|>> or -/|<< when "ON [A]" or "ON [B]" is flashing to set the start time.  
 ② Press TIMER ADJUST. Finish time flashes.
- 4** ① Press +/|>> or -/|<< to set the finish time.  
 ② Press TIMER ADJUST. Display returns to original mode. When "E" is displayed: Check whether start and finish are set for the same time.

### Programming play

- 5** Get the music source ready.  
 Listening to cassettes: refer to pages 10 to 11.  
 • When used in combination with the recording timer Always insert the cassette to be played into deck 1 and display the [CD] indicator.  
 Listening to the radio: refer to pages 12 to 13.  
 Listening to CDs: refer to pages 14 to 16.
- 6** Press VOLUME to adjust volume for time of play.

### Setting the timer function

- 7** Press PLAY TIMER A (or B) to display "PLAY".  
 When "E" is displayed: Check whether the clock has been set (page 9).
- 8** Press POWER to turn the unit off.  
 Programming can be checked when the unit is off (page 27).



## Using the Play Timer

### To clear the timer function:

Press PLAY TIMER A (or B) when the unit is on to clear the **A** or **B** display.

### To play music after programming: (after step 7)

- ① Begin play of the desired music source.  
Programmed play timer information is retained in the memory even if the volume or music source is changed when music is played.
- ② After playing music, turn the unit off.
  - Cassette deck and direction displayed when the unit is turned off are activated in the play timer. After playing music, check the play timer deck and direction before turning the unit off.
  - When using the play timer with a CD, check the setting of the random, repeat or programmed play mode before turning the unit off.

### Note

Always turn the unit off before the programmed start time. The timer does not activate when the unit is turned on.

### To change the source or volume of the timer function:

Press PLAY TIMER A or B to clear the **A** or **B** indicator and follow steps 5 to 8.

### To use the timer at the same time daily:

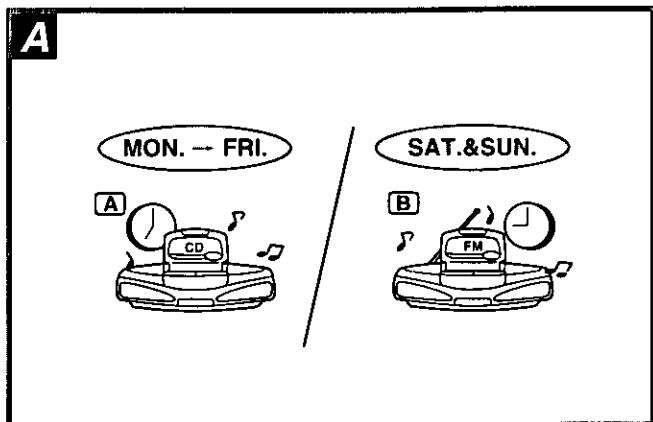
Check that **A** or **B** is displayed and turn the unit off.

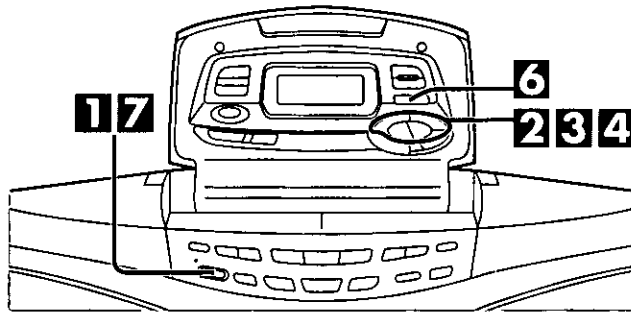
## Using the timers A and B separately

**Example: Listening to CDs from 7:00 A.M. on weekdays and FM broadcasting from 9:00 A.M. on weekends. **A****

- ① Program play timer A for CD play.
- ② Program play timer B for radio programming.
- ③ Display **A** on weekdays and **B** on weekends (steps on page 24)

- **A** and **B** cannot be displayed simultaneously.





**1** POWER/BATT (POWER)

**2** TIMER ADJUST

**3** ① -/|<<>|+/>> ② TIMER ADJUST

**4** ① -/|<<>|+/>> ② TIMER ADJUST

**6** REC TIMER

**7** POWER/BATT (POWER)

Flashes at programmed time

## Using the Recording Timer

The clock has a 12-hour display.

Radio broadcasts can be recorded at a programmed time.  
 Example: Recording radio broadcasting from 1:00 P.M. to 2:30 P.M.

### Setting the start and finish times

- 1** Press POWER.
- 2** Press TIMER ADJUST to set "ON (REC)" flashing.  
 ON [A] → OFF [A] → ON [B] → OFF [B] → Original display ← OFF (REC) ← ON (REC)  
 (The display changes each time the button is pressed.)
- 3** ① Press +/->> or -/|<< while "ON (REC)" is flashing to set the start time.  
 ② Press TIMER ADJUST.  
 Finish time flashes.
- 4** ① Press +/->> or -/|<< to set the finish time.  
 ② Press TIMER ADJUST.  
 Display returns to original mode.  
 When "E" is displayed:  
 Check whether start and finish are set for the same time.

### Programming recording

- 5** Get the music source ready.
  - ① Select radio station.
  - ② Insert cassette into deck 2.
  - ③ Press REV MODE on the remote control to select the mode.
  - Reduce the volume when listening during recording is not desired.
  - If there is excessive interference when recording an AM station, press ST/MONO/BP to switch to reduced static.

### Setting the timer function

- 6** Press REC TIMER to display "REC".  
 When "E" is displayed:  
 Check whether the clock has been set (page 9).
- 7** Press POWER to turn the unit off.  
 Programming can be checked when the unit is off (page 27).  
 The unit turns on approximately 30 seconds before the set start time and recording begins.

### To clear the timer function:

Press REC TIMER when the unit is on to clear the (REC) indicator.

## Using the Recording Timer

### To play music after programming: (after step 6)

- ① Begin play of desired music source.  
Programming for the recording time remains in the memory even if the volume or source is changed during play.
- ② After playing music, turn the unit off.  
Direction displayed when unit is turned off is activated in the recording timer. After playing music, check the direction (▶ or ◀) of the cassette to be recorded before turning the unit off.

### To change the radio station to be recorded:

Press REC TIMER to clear the **REC** indicator and follow steps 5 to 7.

### To use the timer at the same time daily:

Check that **REC** is displayed and turn the unit off.

#### Note

Always turn the unit off before the programmed start time. The timer does not activate if unit is on.

## To check programming

Play and recording timer programming can be checked.

### Press **TIMER ADJUST** when unit is off.

The display automatically changes in the following order.

Display example: Play tape from 7:00 A.M. to 8:30 A.M. on play timer

A. **A**

- ① Programmed time to start
- ② Programmed time to finish
- ③ Programmed music source  
▶ (▶) and ◀ (◀) are not displayed when batteries are used as the power source.
- ④ Timer volume
- ⑤ Original display

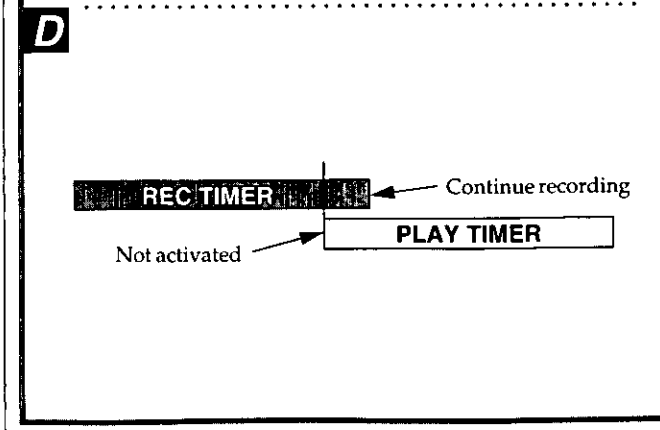
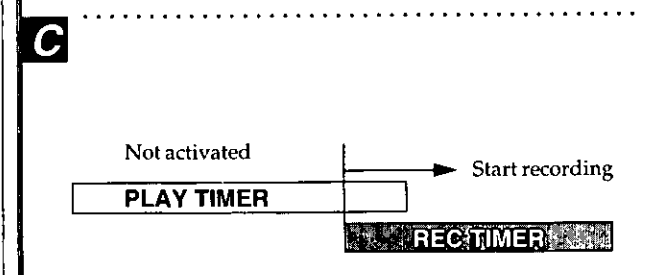
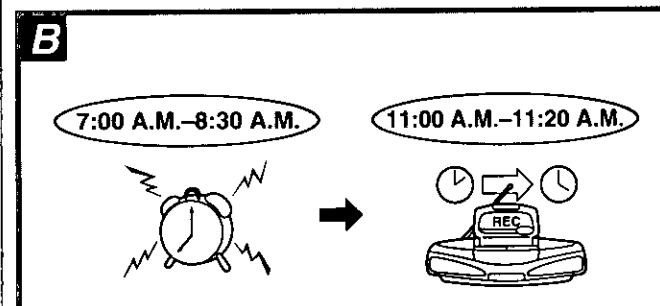
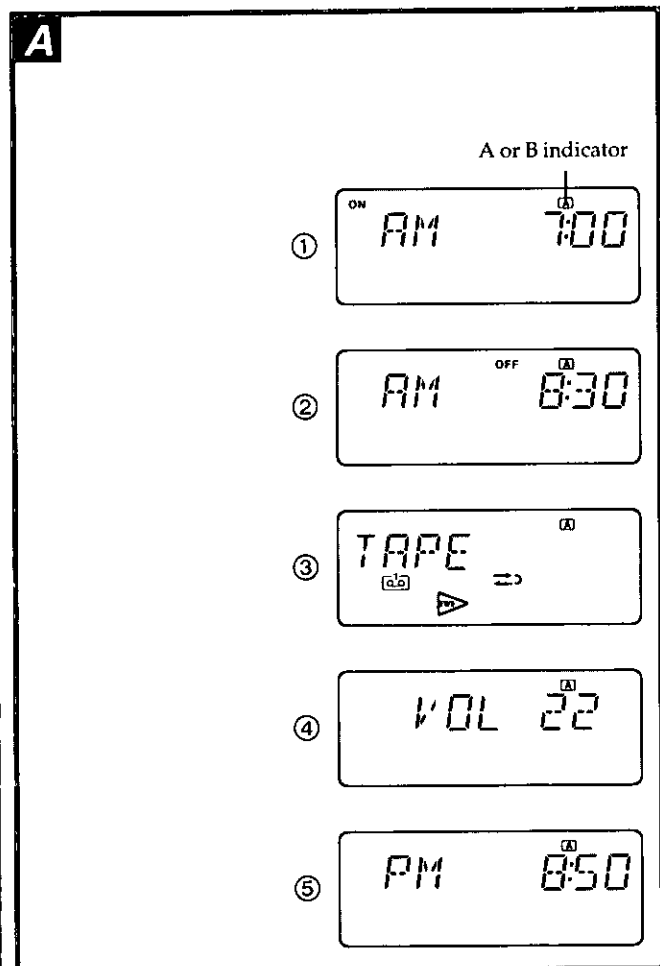
## Using the play and recording timers in combination

### Example: Waking up to a cassette in the morning and recording radio programming while away **B**

- ① Program play timer (A or B) for cassette play (page 24).
  - ② Program recording timer for radio recording and insert recording cassette into deck 2 (page 26).
- Insert the playback cassette into deck 1 and the recording cassette into deck 2. In this case, the play timer operates only on deck 1.

### When programmed times overlap

- **When recording is programmed to begin during play timer operation **C****  
Cancels play and begins recording.
- **When play is programmed to begin during recording timer operation **D****  
Continues recording. The play timer is not activated.



## Using the Sleep Timer

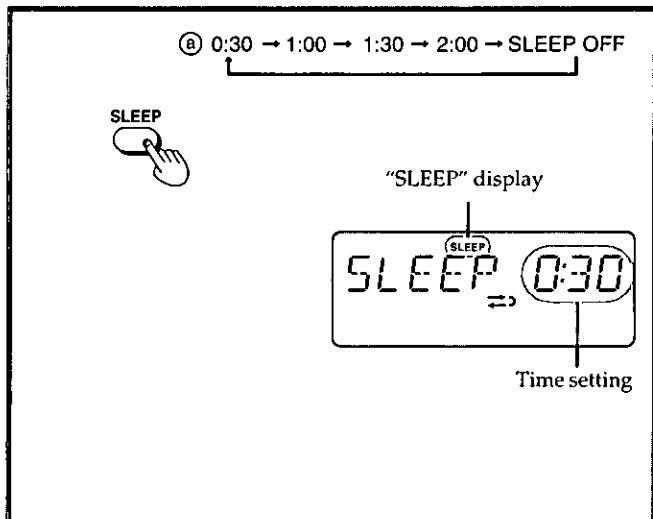
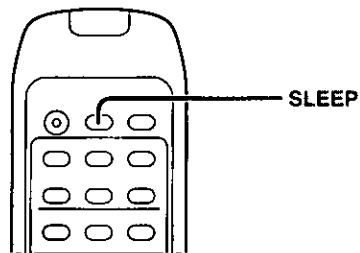
(Available only from the remote control)

The unit off time can be set up to two hours ahead of the present time.

Press SLEEP to select the desired time.

The display changes each time the button is pressed. Ⓐ

The unit is turned off after the time set has elapsed.



**To release the timer function:**

Press SLEEP to select "SLEEP OFF".

**To check the time remaining during operation:**

Press SLEEP.

**To change the time remaining during operation:**

Press SLEEP to show the remaining time then SLEEP to select the desired time.

### Hint

Pressing SLEEP can turn the unit on (only AC power is supplied).

## Using the sleep and play timers in combination

(Example:) Falling asleep listening to FM programming and waking up the next morning listening to a CD. Ⓐ

① Program the play timer (A or B) for CD play (page 24).

② Select the desired radio station and set the sleep timer.

Plays the CD at the volume programmed in A in the morning even if it is reduced the night before.

### •When programmed times overlap Ⓑ

When play is programmed to begin before the sleep timer turns the unit off, the play timer is not activated. The unit turns off after the programmed sleep timer is completed.

Always set the sleep timer so that the unit turns off by the time the play timer is programmed to begin.

## Using the sleep and recording timers in combination

Example: Falling asleep listening to a cassette and recording FM programming during the night Ⓒ

① Program the recording timer to record the FM programming and insert recording cassette into deck 2 (page 26).

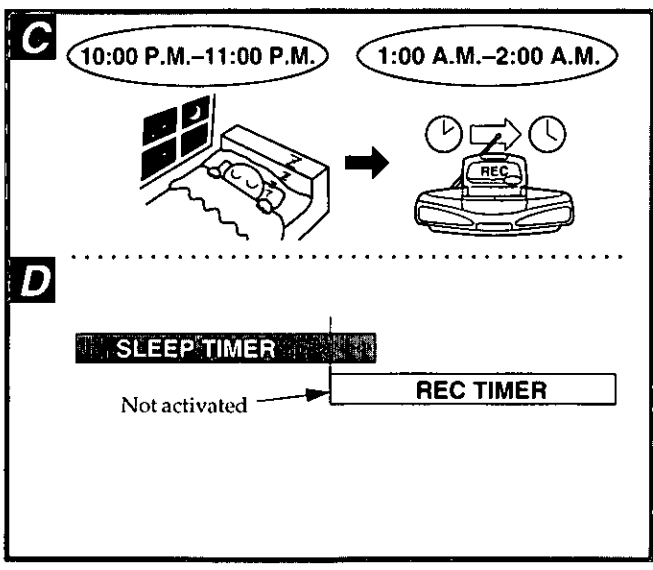
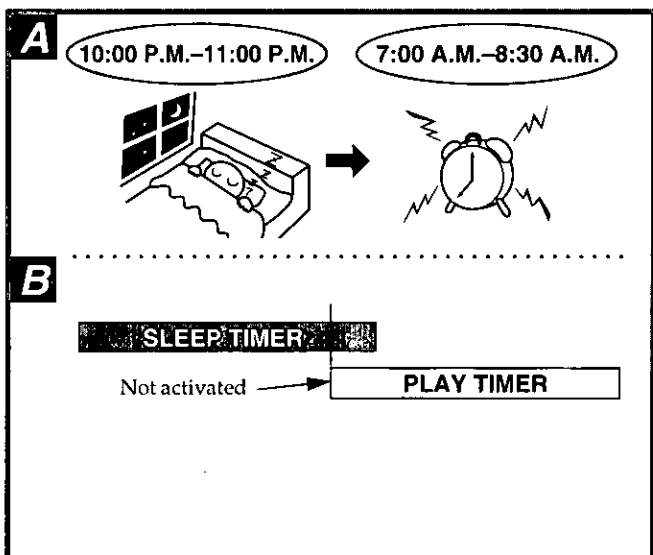
② Insert the playback cassette into deck 1 and set the sleep timer.

### •When programmed times overlap Ⓓ

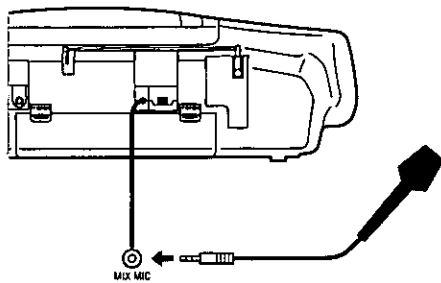
When recording is programmed to begin before the sleep timer turns the unit off, the recording timer is not activated.

The unit turns off after the programmed sleep timer is completed.

Always set the sleep timer so that the unit turns off by the time the recording timer is programmed to begin.



## Using an External Unit



## Using microphone

### Karaoke

1. Lower the volume and connect the microphone (not included).
2. Start playing a CD or tape, or turn on the radio.
3. Start karaoke singing and adjust the volume.

### Recording karaoke sound with accompaniment from a CD

1. Lower the volume and connect the microphone.
2. Insert the CD and program desired track. (See page 16.)
3. Load the tape in deck 2.
4. Select the mode using REV MODE on the remote control.
5. Press ●/●|| REC/REC PAUSE.  
Play and recording start.

### Recording karaoke sound with accompaniment from a tape

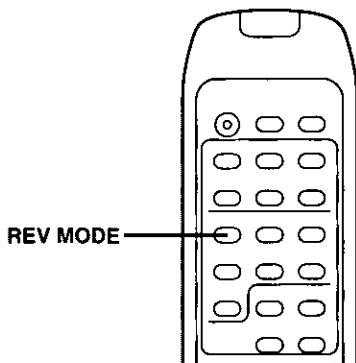
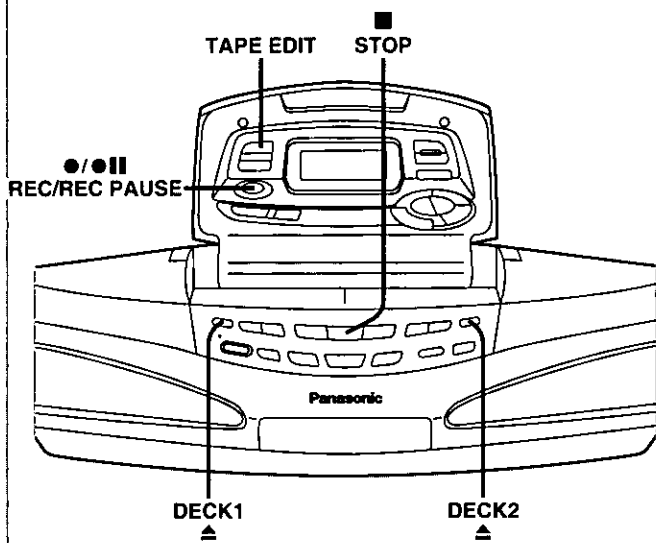
1. Lower the volume and connect the microphone.
2. Load the karaoke tape in deck 1 and the recording tape in deck 2.
3. Select the mode using REV MODE on the remote control.
4. Press ■.  
Playback and recording start.

### Recording the sound through the microphone

1. Lower the volume and connect the microphone.
2. Press ■.
3. Load the tape in deck 2.
4. Select the mode using REV MODE on the remote control.
5. Press ●/●|| REC/REC PAUSE.  
Recording starts.

#### Note

When karaoke singing with accompaniment from a CD, sound is heard only while the CD is playing. No sound is heard in the stop or pause mode.



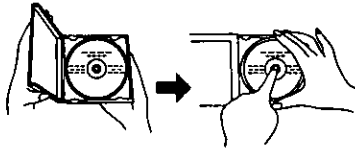
## Concerning Compact Discs

Only compact discs having this mark can be used with this unit. **A**



### To remove a disc from its case **B**

Press the center holder and lift the disc holding by the edges.



### To hold the disc **C**

Hold the disc by the edge so the surface is not soiled with fingerprints.

Fingerprints, dirt and scratches can cause skipping and distortion.

### To store a disc in its case **D**

Insert the disc with label facing upwards and press downward at the center.

### If the surface is soiled **E**

Wipe gently with a soft, damp (water only) cloth.

If the disc is brought from a cold to a warm environment, moisture may form on the disc.

Wipe this moisture off with a soft, dry, lint-free cloth before using the disc.

### Improper disc storage:

You can damage discs if you store them in the following places;

- Areas exposed to direct sunlight
- Humid or dusty areas
- Areas directly exposed to a heat outlet or heating appliance

### Handling precautions:

- Do not write on the disc with a ballpoint pen or other writing utensils.
- Do not use record cleaning sprays, benzine, thinner or alcohol to clean the disc.
- Do not use CDs with poorly attached label or stickers. Adhesive protruding from underneath stickers can cause your stereo to malfunction.

**A**

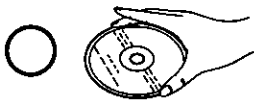
**B**

**C**

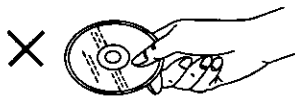
**D**

**E**

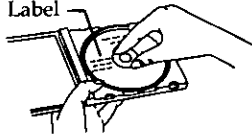
(Correct)



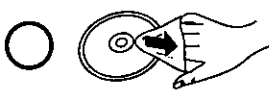
(Incorrect)



Label



(Correct)



(Incorrect)



## Concerning Cassette Tapes

### Selection of cassette tapes

#### Cassette tapes exceeding 100 minutes:

These tapes are handy for their long playback and recording time but be careful about repeatedly stopping and starting, rewinding and fast forwarding these tapes in short intervals as they are thin, tend to stretch and may become entangled in the deck mechanism.

#### Endless tapes:

Failure to operate these tapes correctly may cause the tape to wind around the revolving parts.

For this unit, it is recommended to use the tape which is appropriate to the auto reverse mechanism.

### If the tape loosens, take up the slack **A**

Tape slack may cause the tape break.

### To prevent erasure of recorded sounds **B**

To re-record on a protected cassette, cover the slot with adhesive tape. **C**

Do not cover the detection holes on high position tapes.

#### Improper tape storage:

You can damage tapes if you store them in the following places;

- In high temperature [35°C (95°F) or higher] or high humidity (80% or higher) areas
- In a strong magnetic field (near a speaker, on top of TV, etc.) This can erase a recording.
- Areas exposed to direct sunlight

#### To erase sound previously recorded on a tape:

Disconnect the microphone.

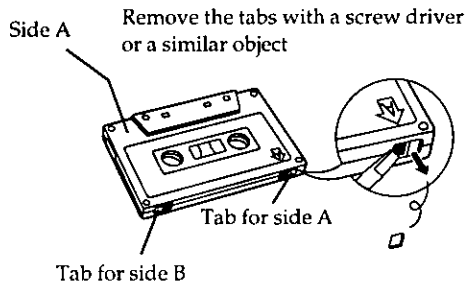
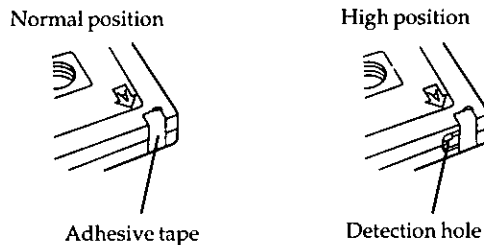
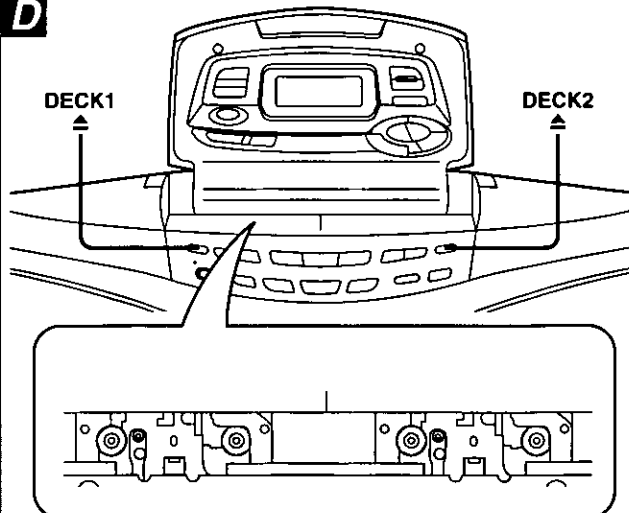
1. Load the tape in deck 2.
2. Press ■.
3. Press ●/● ■ REC/REC PAUSE.

### Tape head care **D**

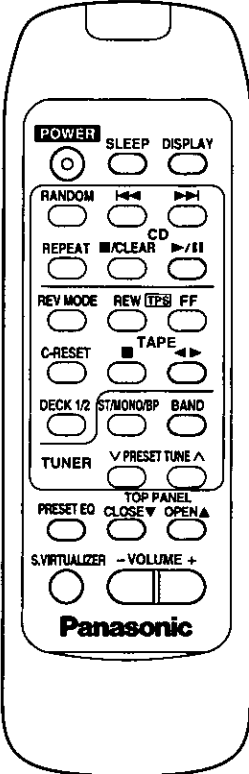











To assure sound quality for recording and playback, be sure to clean the tape heads after approximately every 10 hours of use.

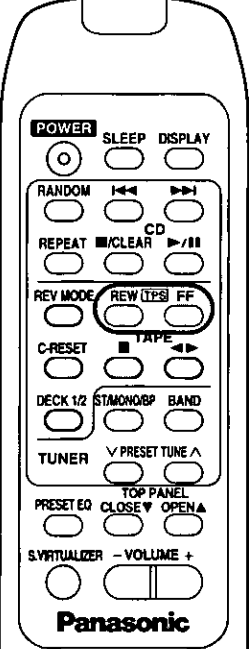









1. Open the cassette cover by pressing ▲ DECK 1 and ▲ DECK 2.
2. Clean the portions which contact the tape (the shaded portions in the figure) with a cotton swab.

Do not use any solution other than alcohol for head cleaning.

**A****B****C****D**

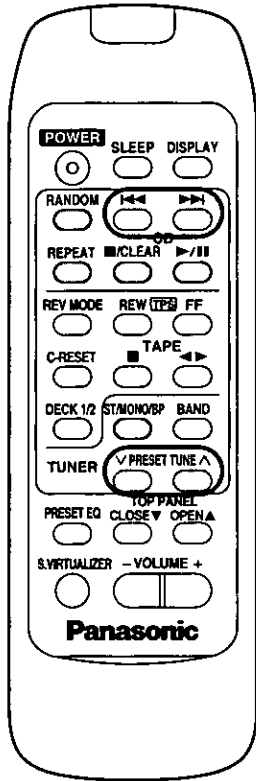
# Quick Reference of Remote Control Operations

	<b>Common operations</b>	
	Turning the unit on and off (Unit cannot be turned on by remote control when batteries are used as power source.)	<b>POWER</b> 
	To open the top panel	<b>TOP PANEL OPEN</b> 
	To close the top panel	<b>TOP PANEL CLOSE</b> 
	Selecting the equalizer effect	<b>PRESET EQ</b> 
	To turn on sound-space effects	<b>S.VIRTUALIZER</b> 
	Adjusting the volume	<b>- VOLUME +</b> 
	Selecting the display	<b>DISPLAY</b> 
	One touch play	<b>BAND</b>  <b>▶/II</b>  <b>◀</b> 
Setting/releasing the sleep timer	<b>SLEEP</b> 	

	<b>Cassette deck operations</b>	
	Starting playback/Changing the direction	
	Rewinding/Fast forwarding	In the stop mode <b>REW</b>  <b>FF</b> 
	Finding the beginning of a track (TPS)	During playback <b>REW</b>  <b>FF</b> 
	Stopping the tape	
	Selecting the reverse mode	<b>REV MODE</b> 
	Resetting the tape counter to "000"	<b>C-RESET</b> 
	Selecting deck 1/2	<b>DECK 1/2</b> 

General Information





Tuner/CD operations	
Listening to a programmed radio station	▽ PRESET TUNE ▲ ○ ○
Selecting reception in stereo or mono	ST/MONO/BP ○
Reducing noise during the recording of AM programs	ST/MONO/BP ○
Starting play/ Temporarily stopping play	▶/   ○
Stopping play/ To clear program play	■/CLEAR ○
To skip tracks	◀ ▶ ○ ○
To search forward or backward	Keep pressing ◀ ▶ ○ ○
Listening to track(s) repeatedly	REPEAT ○
Listening to track at random	RANDOM ○

## Maintainance of External Surfaces

To clean this unit, use a soft or dry cloth.

If the surfaces extremely dirty, use a soft cloth dipped in a soap and water solution or a weak detergent solution.

Wring the cloth well before wiping the unit.

Wipe once again with a soft or dry cloth.

Never use alcohol, paint thinner, benzine, or chemically treated clothes to clean this unit. Such chemicals may damage the finish of your unit.

# Troubleshooting Guide

Before requesting service for this unit, check the chart below for a possible cause of the problem you are experiencing. Some simple checks or a minor adjustment on your part may eliminate the problem and restore proper operation.

If you are in doubt about some of the check points, or if the remedies indicated in the chart do not solve the problem, refer to the directory of Authorized Service Centers (enclosed with this unit) to locate a convenient service center, or consult your dealer for instructions.

(In U.S.A. consult MSC Authorized Servicenters for detailed instructions or call 1-800-545-2672 for the address of an authorized factory servicenter.)

Problem	Probable cause(s)	Suggested remedy	Page
<b>Common problems</b>			
"E" appears.	Have you made a mistake in operation?	Read the operating instructions and try again.	
"U01" appears.	The batteries are flat.	Replace them with new ones. Alternatively, use a household AC outlet as the power source.	5
	The power is not supplied the unit.	Install the batteries or connect the power cable.	5
<b>While listening to CDs</b>			
Play does not start. No display of track numbers, etc.	Has the CD been installed upside down?	Install the CD with the label side facing up.	14
	Has there been a sudden change in temperature? For instance, was the unit brought straight from a cold place into a warm location?	Condensation may have formed on the lens unit. Leave it for about an hour before attempting operation again.	4
Certain sections are not played properly.	Is the CD soiled?	Wipe with a soft cloth.	30
	Is the CD scratched?	Replace with a new CD.	
<b>While listening to tapes</b>			
No recording.	Have the tape's accidental erasure prevention tabs been broken out?	Cover the holes with adhesive tape.	31
Sound is low, intermittent, or poor quality, noisy, scratchy, or unsteady.	Are the head soiled?	Clean them.	31
<b>While listening to the radio</b>			
Stations cannot be tuned in well.	Has the antenna been adjusted properly?	Try changing its direction.	12
Noise heard during AM reception.	Are you using a remote control of other appliances near the unit?	Use the remote control at a distance.	
	Are you operating the unit and a TV set at the same time?	Place the unit at a distance from the TV. Alternatively, turn the TV off.	
<b>While using the timer</b>			
No timer operation at the programmed time.	Is the unit turned on (when the play timer and the recording timer are being used)?	Turn the unit off upon completion of the settings.	24 26
	Has the programmed timer indicator (A, B, REC or SLEEP) lighted?	Operate again so that the display lights up.	24 26 28

## Technical specifications

### Radio

Frequency range	
FM	87.9–107.9 MHz (200 kHz steps) 87.5–108.0 MHz (100 kHz steps)
AM	520–1710 kHz (10 kHz steps)

### CD player

Sampling frequency	44.1 kHz
Decoding	16 bit linear
Beam source	Semiconductor laser (wavelength 780 nm)
No. of channels	2 channel, stereo
Wow and flutter	Less than possible measurement data
D/A converter	MASH (1 bit DAC)

### Tape recorder

Track system	4 track, 2 channel, stereo
Monitor system	Variable sound monitor
Recording system	AC bias
Erasing system	AC erase
Frequency range	
Normal position	30–16000 Hz
High position	30–17000 Hz

### General

Speakers	10 cm 4" 2.7Ω×2
----------	-----------------

### Jacks

Output	PHONES: 3.5 mm stereo (16–32Ω)
Input	MIX MIC: 3.5 mm (200–600Ω)

### Power requirement

AC	120 V, 60 Hz Power consumption: 44 W
----	---

Battery	15 V (Ten R20/LR20, D size, UM-1) ● Do not use rechargeable type batteries.
---------	--

### Memory back-up for computer/clock

	6 V (Four R6/LR6, AA size, UM-3) ● Do not use rechargeable type batteries.
--	---

### Dimensions (W×H×D)

	630×178×296 mm (24 <sup>13</sup> / <sub>16</sub> "×7"×11 <sup>1</sup> / <sub>16</sub> ") (Top panel closed)
	630×305×296 mm (24 <sup>13</sup> / <sub>16</sub> "×12"×11 <sup>1</sup> / <sub>16</sub> ") (Top panel open)

### Weight

	5.6 kg (12 lb 6 oz) (without batteries)
--	--

## Product Service

Do not attempt to remove the cover(s) or repair the unit yourself.  
Refer servicing to qualified personnel only.

## Product information

For product service, product information or assistance with product operation, refer to the servicenter directory.

### Note

Specifications are subject to exchange without notice.  
Weight and dimensions are approximate.

MASH is a trademark of NTT.

---

**Matsushita Consumer Electronics  
Company, Division of Matsushita  
Electric Corporation of America**  
One Panasonic Way Secaucus,  
New Jersey 07094

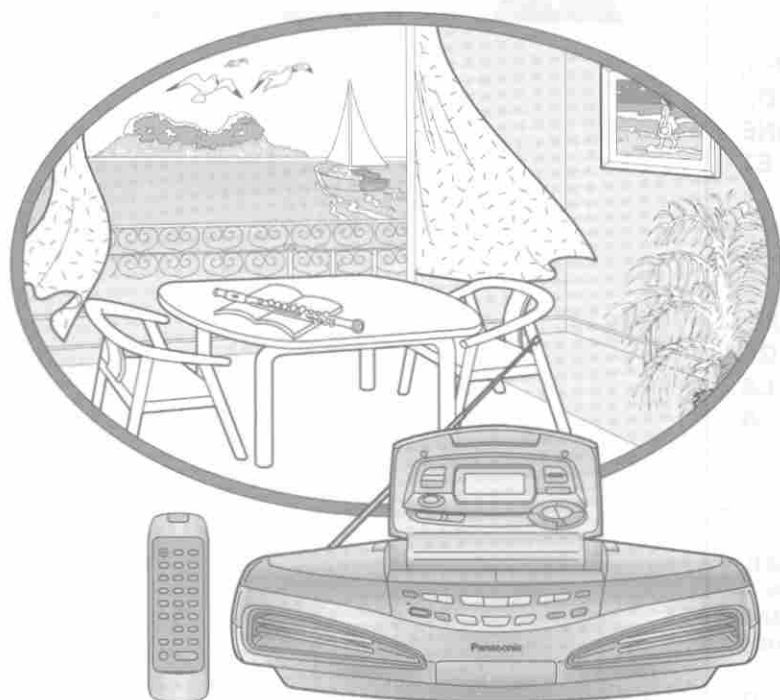
**Panasonic Sales Company,  
Division of Matsushita Electric of  
Puerto Rico, Inc. ("PSC")**  
Ave. 65 de Infantería, Km. 9.5  
San Gabriel Industrial Park, Carolina,  
Puerto Rico 00985

**Matsushita Electric of  
Canada Limited**  
5770 Ambler Drive,  
Mississauga, Ontario  
L4W 2T3

# Chaîne stéréo portative avec lecteur audionumérique

## RX-ED77

### Manuel d'utilisation



# Panasonic®

Il est recommandé de lire attentivement le présent manuel avant d'utiliser l'appareil. Conserver ce manuel.

## Cher client

Nous vous remercions d'avoir arrêté votre choix sur cet appareil.  
Pour en tirer un rendement optimal, lire attentivement le présent manuel.

Il est recommandé de noter, dans l'espace prévu ci-dessous, le numéro de modèle et le numéro de série inscrits à l'arrière, ou sous le fond de l'appareil, et de conserver ce manuel pour référence ultérieure.

NUMÉRO DE MODÈLE \_\_\_\_\_ **RX-ED77** \_\_\_\_\_

NUMÉRO DE SÉRIE \_\_\_\_\_

### Homologation:

DATE D'ACHAT \_\_\_\_\_

DÉTAILLANT \_\_\_\_\_

ADRESSE DU DÉTAILLANT \_\_\_\_\_

N° DE TÉLÉPHONE \_\_\_\_\_

### ATTENTION:

POUR ÉVITER LES CHOC ÉLECTRIQUES, INTRODUIRE LA LAME LA PLUS LARGE DE LA FICHE DANS LA BORNE CORRESPONDANTE DE LA PRISE ET POUSSER JUSQU'AU FOND.

### ATTENTION:

AFIN D'ÉVITER TOUT RISQUE D'INCENDIE, DE CHOC ÉLECTRIQUES OU DE DOMMAGE À L'APPAREIL, NE PAS L'EXPOSER À LA PLUIE, AUX ÉCLABOUSSURES OU À L'HUMIDITÉ.

### ATTENTION!

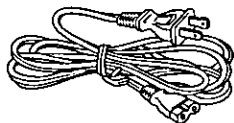
CET APPAREIL EST DOTÉ D'UN LECTEUR AU LASER. L'UTILISATION DE COMMANDES OU LE RECOURS À DES RÉGLAGES AUTRES QUE CEUX INDICQUÉS DANS CE MANUEL PEUVENT PRÉSENTER DES RISQUES D'EXPOSITION À DES RADIATIONS.

NE PAS OUVRIR LE BOÎTIER. TOUTE RÉPARATION DOIT ÊTRE FAITE PAR UN PERSONNEL QUALIFIÉ ET NON PAR L'USAGER.

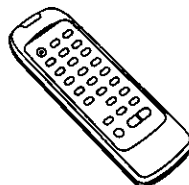
## Accessoires fournis

Vérifier si les accessoires décrits ci-dessous se trouvent dans l'emballage.

a



b



a Cordon d'alimentation (SJA172) ..... 1

b Télécommande (EUR643826) ..... 1  
Citer les numéros de modèle lors du placement de la commande.

	<b>ATTENTION</b> RISQUE DE CHOC ELECTRIQUE NE PAS OUVRIR	
<b>ATTENTION:</b> AFIN DE PRÉVENIR LE RISQUE DE CHOC ÉLECTRIQUES, NE PAS RETIRER LES VIS. TOUTE RÉPARATION DEVRAIT ÊTRE CONFIEE À UN PERSONNEL QUALIFIÉ.		



Le symbole de l'éclair dans un triangle équilatéral indique la présence d'une tension suffisamment élevée pour engendrer un risque de chocs électriques.



Le point d'exclamation dans un triangle équilatéral indique que le manuel d'utilisation inclus avec l'appareil contient d'importantes recommandations quant au fonctionnement et à l'entretien de ce dernier.

## Table des matières

### Préparatifs

Accessoires fournis .....	2
Précautions à prendre .....	3
Sources d'alimentation .....	5
Emplacement des commandes .....	6
À propos de la télécommande .....	8
Ouverture/Fermeture du rabat du dessus .....	8
Utilisation d'un casque d'écoute .....	8
Réglage de l'horloge .....	9
Sélection de l'affichage .....	9

### Lecture

Lecture de cassettes .....	10
Écoute de la radio .....	12
Lecture de disques audionumériques .....	14
Réglage du rendu sonore .....	17

### Enregistrement

Préparatifs pour un enregistrement .....	18
Enregistrement d'un CD .....	19
Duplication d'une cassette .....	22
Enregistrement d'émissions radio .....	23

### Minuterie

Lecture différée .....	24
Enregistrement différé .....	26
Minuterie-sommeil .....	28

### Divers

Raccordement d'appareils externes .....	29
À propos des disques audionumériques .....	30
À propos des cassettes .....	31
Guide d'utilisation sommaire de la télécommande .....	32
Nettoyage des surfaces extérieures .....	33
Guide de dépannage .....	34
Données techniques .....	35
Service après-vente .....	35

## Précautions à prendre

### Protection de l'ouïe



Choisir un appareil audio de qualité tel celui que vous venez d'acheter ne représente que le début de votre plaisir musical. En effet, de simples mesures peuvent vous permettre d'optimiser l'agrément que votre appareil peut vous offrir. Le fabricant de cet appareil et le Groupe des produits grand public de l'Association de l'industrie électronique désirent que vous tiriez un plaisir maximum en l'écoutant à un niveau sécuritaire qui, tout en assurant une reproduction claire et puissante sans distorsion, ne puisse affecter votre ouïe.

Il est recommandé d'éviter une écoute prolongée à volume élevé.

Le son peut être trompeur. Avec le temps, votre niveau de confort auditif s'adapte à des volumes plus élevés. Ainsi, un niveau qui semble normal peut en fait être trop élevé et être nuisible à l'oreille.

Protégez-vous en réglant le volume à un niveau sécuritaire avant que votre oreille ne s'adapte à un volume trop élevé.

Pour déterminer un niveau d'écoute sécuritaire:

- Régler le volume au minimum.
- Monter lentement le volume jusqu'au niveau d'écoute confortable avant qu'il n'y ait distorsion.

Après avoir identifié le niveau d'écoute confortable:

- Régler le volume et le laisser à ce niveau.

Les quelques secondes que vous demanderont ce réglage contribueront à prévenir tout dommage éventuel à l'ouïe.

### Alimentation sur piles

- Ne pas utiliser de piles rechargeables.
- Ne pas utiliser conjointement des piles neuves avec des piles usagées ou de types différents (au manganèse et alcalines, par exemple).
- Retirer sans délai toute pile faible, usée ou vieille et en disposer de la manière appropriée.
- Ne jamais exposer les piles à une chaleur excessive ou à la flamme; ne pas tenter de les démonter et ne jamais provoquer de court-circuit.
- Si l'appareil n'est pas utilisé pendant une période prolongée ou s'il ne fonctionne que sur le secteur, en retirer les piles et les ranger dans un endroit frais et sombre.
- Dans l'éventualité d'une fuite, retirer toutes les piles et en disposer de la manière appropriée.
- Nettoyer à fond le logement des piles avant d'en insérer d'autres.
- Dans le cas où l'électrolyte entrerait en contact avec la peau ou les vêtements, rincer immédiatement à l'eau.
- Ranger les piles hors de la portée des enfants.
- Ne pas tenter de recharger les piles alcalines ou au manganèse.
- Afin de prévenir tout risque de fuite, s'assurer des respecter la polarité indiquée.

Avant d'utiliser l'appareil, lire attentivement le présent manuel. Porter une attention toute particulière aux avis inscrits sur l'appareil et aux instructions décrites ci-dessous. Conserver ce manuel pour référence ultérieure.

**Mesures de sécurité**

- 1. Alimentation**—Ne brancher cet appareil que dans une prise de courant du type décrit dans le présent manuel ou tel qu'indiqué sur l'appareil.
- 2. Polarisation**—Si l'appareil est équipé d'une fiche polarisée (dont une lame est plus large que l'autre), cette dernière ne peut être branchée que dans un sens. Si la fiche ne peut être insérée dans la prise, en inverser le sens. Si la fiche ne peut toujours pas être branchée, communiquer avec un électricien pour faire changer la prise de courant. Ne pas tenter de contourner cette mesure de sécurité.
- 3. Protection du cordon d'alimentation**—Les cordons secteur doivent être placés de manière qu'ils ne soient pas piétinés ou écrasés par des objets. Ne jamais toucher à un cordon d'alimentation les mains mouillées et toujours tenir la fiche et non le cordon pour le brancher ou le débrancher.
- 4. Après usage**—Après usage, toujours couper le contact sur l'appareil.  
En cas de non utilisation prolongée, débrancher le cordon d'alimentation de la prise de courant.

**Installation****Environnement**

- 1. Eau et humidité**—Ne pas utiliser cet appareil dans un endroit où il risquerait d'être mouillé (près d'une baignoire, d'un lavabo, d'une piscine). Éviter également les endroits humides.
- 2. Condensation**—Il se peut que de la condensation se forme sur la lentille dans les conditions suivantes:
  - suite à la mise en marche d'un appareil de chauffage;
  - en présence de vapeur ou dans une pièce très humide;
  - lorsque l'appareil est déplacé d'un endroit froid à un endroit plus chaud.
 Si de la condensation se forme à l'intérieur de l'appareil, il se peut que celui-ci ne fonctionne pas. Pour remédier au problème, établir le contact et attendre environ une heure que l'humidité se soit évaporée.
- 3. Chaleur**—Éloigner l'appareil de toute source de chaleur telle que radiateurs et autres éléments de chauffage.  
Ne pas le placer dans un endroit où la température est inférieure à 5°C (41°F) ou supérieure à 35°C (95°F).

**Emplacement**

- 1. Aération**—Placer l'appareil dans un endroit où il n'existe aucun obstacle à sa ventilation. Laisser un jeu d'au moins 10 cm (4 po) entre toute surface et l'arrière de l'appareil.
- 2. Objets divers**—Éviter qu'un objet tombe dans l'appareil ou qu'un liquide y soit déversé. Protéger l'appareil contre la fumée, la poussière, les vibrations et les chocs.
- 3. Champ magnétique**—Éloigner l'appareil de toute source de champ magnétique.
- 4. Empilage**—Ne rien placer sur l'appareil sauf un autre composant de la chaîne.
- 5. Emplacement**—Mettre l'appareil sur une surface plane et de niveau.
- 6. Baies et supports**—Ne placer l'appareil que dans une baie ou sur un support recommandé par le fabricant. Au besoin, déplacer la baie ou le support avec le plus grand soin. Un arrêt brusque, l'application d'une force excessive ou le déplacement sur une surface inégale pourrait causer le renversement de la baie ou du support.
- 7. Installation murale ou au plafond**—À moins d'indication contraire, il n'est pas recommandé de fixer l'appareil à un mur ou au plafond.

**Entretien**

Nettoyer le coffret avec un linge doux humecté d'une solution savonneuse.  
N'utiliser ni tampon, ni nettoyeur abrasif, ni solvant d'aucune sorte.

**Service après-vente**

- 1. En cas de dommage**—Confier l'appareil à un technicien qualifié dans les cas suivants:
  - (a) Lorsque le cordon d'alimentation ou sa fiche a été endommagé;
  - (b) Lorsqu'un objet est tombé dans l'appareil ou si ce dernier a été mouillé;
  - (c) Lorsque l'appareil a été exposé à la pluie;
  - (d) Lorsque l'appareil semble ne pas fonctionner normalement ou que son rendement laisse à désirer;
  - (e) Lorsque l'appareil a subi un choc violent ou que son coffret a été endommagé.
- 2. Réparation**—Ne faire aucun réglage ni ajustement autres que ceux décrits dans le présent manuel. Confier toute réparation à un centre de service Panasonic agréé.



## Sources d'alimentation

### Alimentation sur le secteur

### Alimentation sur piles (vendues séparément)

Mettre d'abord en place les piles d'alimentation de la mémoire (voir ci-dessous).

#### Installation et retrait des piles

Placer l'appareil sur une pièce de tissu avant d'installer ou de retirer les piles de manière à ne pas en rayer le panneau avant.

- ① Débrancher le cordon d'alimentation de la prise de courant.
- ② Ouvrir le couvercle du logement des piles sur le panneau arrière.
- ③ Installer les piles dans l'ordre indiqué ci-contre.

Pour retirer les piles, introduire un doigt dans l'orifice sous l'appareil, puis pousser pour les retirer.

#### Durée de vie des piles

Lorsque le voyant d'alimentation/état des piles s'éteint (ou s'éclaire faiblement) en cours de lecture, remplacer toutes les piles.

### Piles d'alimentation de la mémoire (vendues séparément)

#### Qu'est-ce que la mémoire?

La mémoire contient les informations pouvant être programmées telles que:

- L'heure
- La programmation de la minuterie
- La programmation du lecteur CD
- Les stations de radio

Si aucune pile d'alimentation n'est installée, les informations en mémoire sont supprimées dans les situations suivantes:

- En cas de pannes de courant
- Lorsque le cordon d'alimentation est débranché de la prise
- Lorsque l'appareil fonctionne sur piles et que le câble est branché dans l'appareil mais débranché de la prise secteur.

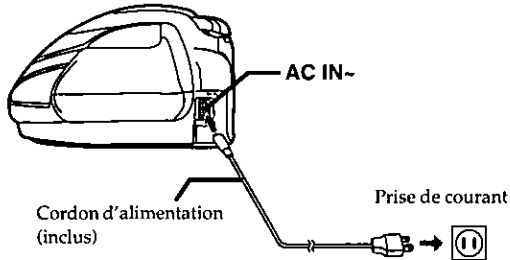
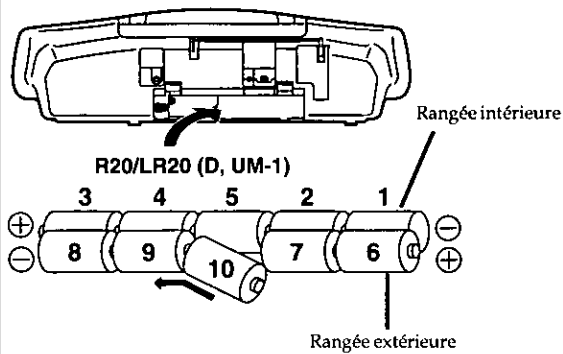
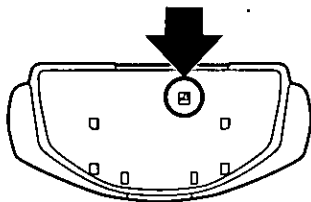
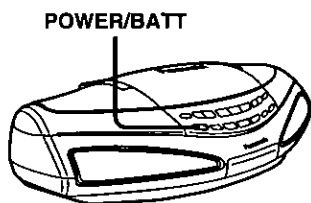
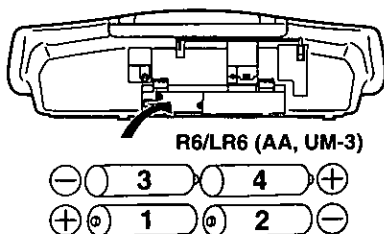
#### Installation et retrait des piles

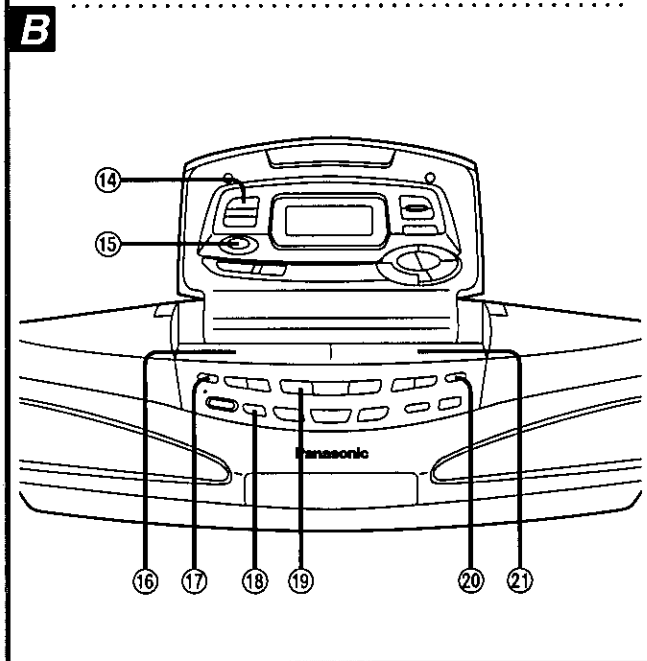
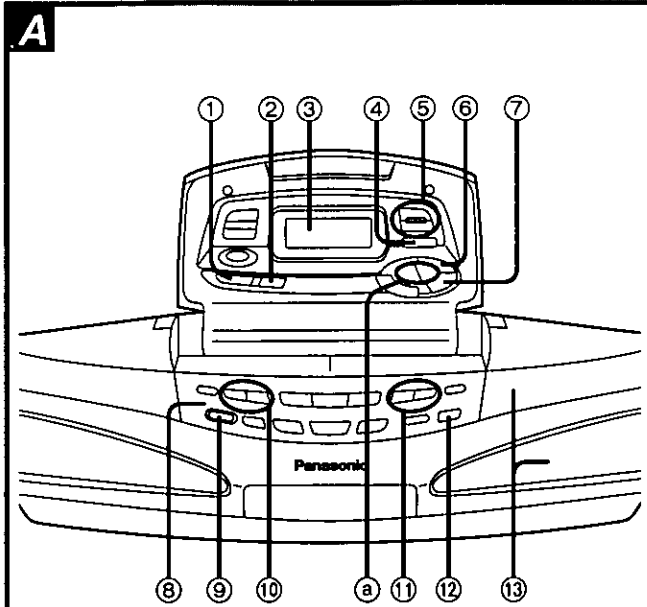
Appuyer sur l'extrémité du pôle négatif de la pile n° 4 pour permettre le retrait de toutes les piles.

#### Remplacement des piles

- La durée de vie utile des piles d'alimentation auxiliaire est d'environ un an. Afin de prévenir la perte des données en mémoire, brancher le cordon d'alimentation dans la prise de courant avant de remplacer les piles d'alimentation auxiliaire.
- Avant de débrancher le cordon d'alimentation, couper le contact au moyen de l'interrupteur.

La durée de vie des piles peut être abrégée si le cordon d'alimentation est débranché avant d'avoir coupé le contact.

**A****B****C****D****E**



## Commandes de base

Numéro	Désignation	Référence
①	Touche de "virtualisation" sonore (S.VIRTUALIZER) . . . . .	17
②	Touche des courbes d'égalisation prédéfinies (PRESET EQ) . . . . .	17
③	Panneau d'affichage	
④	Touche de programmation de la minuterie d'enregistrement (REC TIMER) . . . . .	26
⑤	Touche de programmation de la minuterie de lecture (PLAY TIMER A, B) . . . . .	24
⑥	Touche de réglage de la minuterie (TIMER ADJUST) . . . . .	24, 26
⑦	Touche de réglage de l'horloge (CLOCK ADJUST) . . . . .	9
⑧	Voyant d'alimentation/état des piles (POWER/BATT) . . . . .	5
⑨	Interrupteur (POWER/BATT) . . . . .	5
⑩	Touches du volume (VOLUME +, -)	
⑪	Touche d'ouverture/fermeture du rabat du dessus (TOP PANEL OPEN ▲, CLOSE ▼) . . . . .	8
⑫	Capteur de signal de la télécommande (SENSOR) . . . . .	8
⑬	Haut-parleur	

Les fonctions de la touche ⑩ (-/|◀◀, +/▶▶) changent selon le mode d'opération activé au moment où elle est pressée.

Mode	Fonction	Page
Réglage de l'horloge	Réglage de l'heure	9
Radio	Sélection des stations	12
CD	Programmation des plages	16

## Commandes du magnétophone à cassette

Numéro	Désignation	Référence
⑭	Touche de montage (TAPE EDIT) . . . . .	22
⑮	Touche d'enregistrement/pause à l'enregistrement (●/●    REC/REC PAUSE) . . . . .	19
⑯	Platine 1	
⑰	Touche d'éjection, platine 1 (▲ DECK 1)	
⑱	Touche de sélection, platine 1/2 (DECK 1/2) . . . . .	10
⑲	Touche de lecture/sens de défilement (◀ ▶ PLAY/DIR) . . . . .	10
⑳	Touche d'éjection, platine 2 (▲ DECK 2) . . . . .	10
㉑	Platine 2	

Commandes du bloc d'accord/lecteur CD

Numéro	Désignation	Référence
22	Touche d'enregistrement de CD (CD REC MODE) . . . .	20, 21
23	Touche sélecteur de bande (BAND) . . . . .	12
24	Plateau de CD . . . . .	14
25	Touche de lecture CD/pause (▶/   PLAY/PAUSE) . . . . .	14
26	Touche d'ouverture/fermeture du lecteur CD (▲ CD OPEN/CLOSE) . . . . .	14

**B**  
Les fonctions de la touche ② (■ STOP) changent selon le mode d'opération activé au moment où elle est pressée.

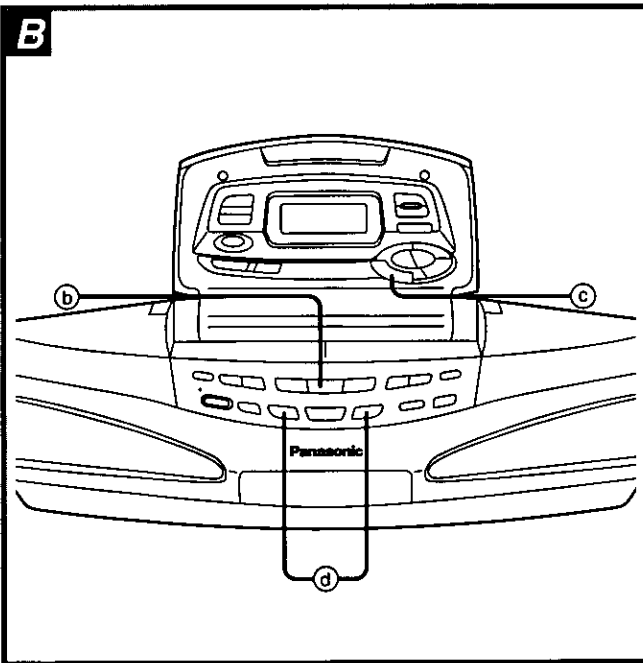
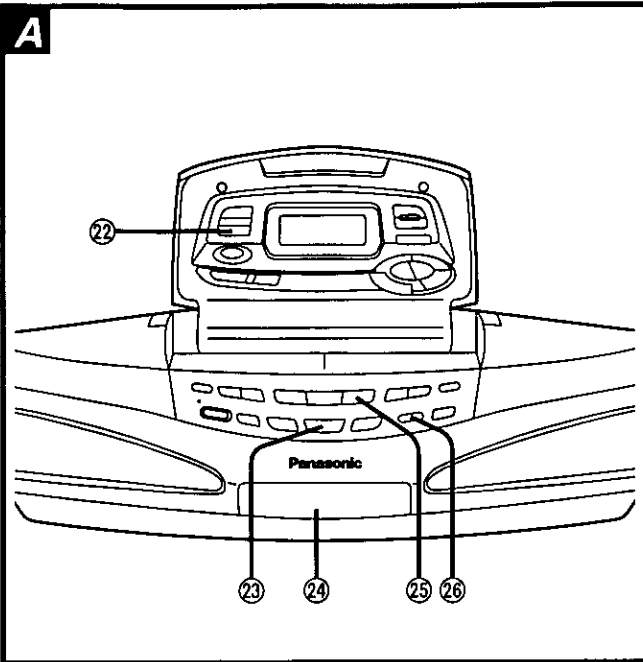
Mode	Fonction	Page
Lecture de cassettes/CD	Arrêt de la lecture	10
		14
Arrêt de lecture de cassette/CD	Sélection entre CD et cassette (sur chaque pression)	10 14

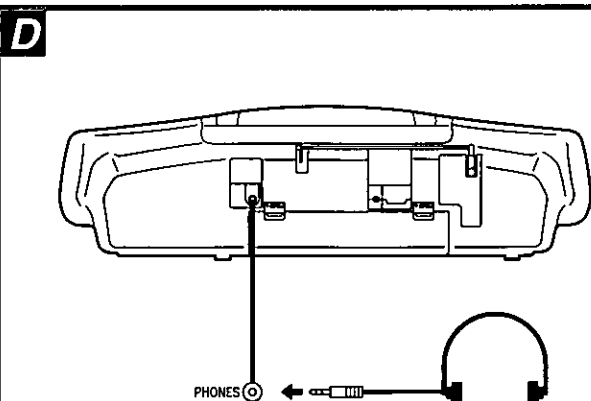
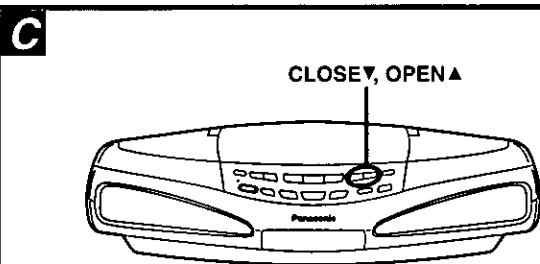
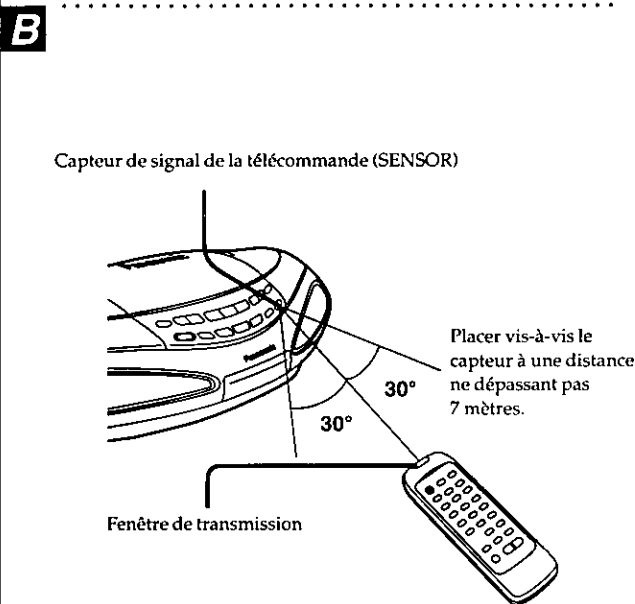
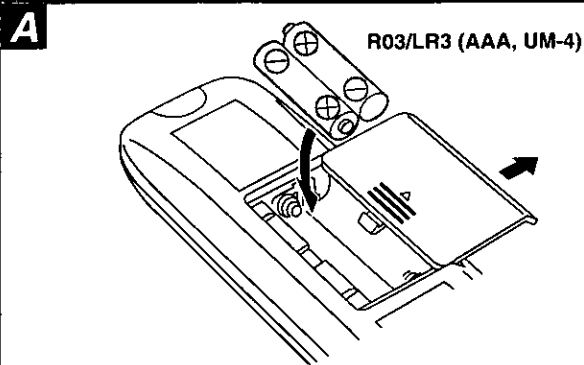
Les fonctions de la touche ③ (•MEMORY/ = CLEAR) changent selon la manière dont elle est pressée.

Pression	Fonction	Page
Une fois	Programmation	16
Continue	Annulation de la programmation	16

Les fonctions de la touche ④ (√/◀◀ REW [TPS]/CD, ^/▶▶/FF [TPS]/CD) changent selon le mode d'opération activé au moment où elle est pressée.

Mode	Fonction	Page
Arrêt de cassette	Avance accélérée, rebobinage	11
Lecture de cassette	Retour au début de la plage	11
Radio	Sélection de station (préréglage)	13
Arrêt de CD	Sélection de plage	14
Lecture de CD	Saut de plage, avance accélérée, rebobinage	14





## À propos de la télécommande

### Installation et retrait des piles (vendues séparément)

Retirer les piles en tirant vers le haut l'extrémité du pôle positif de l'une d'entre elles.

### Durée de vie des piles

La durée de vie des piles est d'environ un an. Bien que leur durée de vie varie selon la fréquence d'utilisation de l'appareil, il est recommandé de remplacer les piles une fois l'an. Remplacer les piles si les commandes de la télécommande n'ont aucun effet même lorsque celle-ci est rapprochée du panneau avant de l'appareil.

### Conseils sur l'utilisation

### Précautions à prendre

- Ne pas exposer le capteur du signal à la lumière directe du soleil ou à l'éclairage intense d'une ampoule fluorescente.
- S'assurer que le capteur du signal et l'extrémité de la télécommande sont exempts de poussière.

### Ouverture/Fermeture du rabat du dessus

Appuyer sur TOP PANEL OPEN ▲ pour ouvrir le rabat du dessus.

Appuyer sur TOP PANEL CLOSE ▼ pour fermer le rabat du dessus.

Lorsque l'appareil fonctionne sur piles, les touches d'ouverture et de fermeture du rabat sur la télécommande ne fonctionnent pas si le contact n'est pas établi. Établir d'abord le contact sur l'appareil avant d'ouvrir ou de fermer le rabat.

Ne placer aucun objet sur le panneau du dessus afin de prévenir qu'il ne tombe dans l'appareil; cela pourrait soit l'endommager soit entraîner un risque d'incendie.

### Utilisation d'un casque d'écoute

Baisser le volume et raccorder le casque d'écoute (vendu séparément).

Type de prise: 3,5 mm stéréo

#### Nota

Afin de prévenir tout risque d'endommager l'ouïe, ne pas prolonger l'écoute à un niveau élevé.

## Réglage de l'horloge

Le système d'affichage de l'heure se fait sur deux cycles de 12 heures.  
Exemple: Réglage de l'horloge à 4:20 PM.;

- 1** Appuyer sur l'interrupteur pour établir le contact.
- 2** Appuyer sur la touche TOP PANEL OPEN ▲ pour ouvrir le rabat du dessus.
- 3** Appuyer sur CLOCK ADJUST.
- 4** Appuyer sur +/▶▶ ou -/◀◀ pour régler l'heure.  
L'affichage de l'heure peut être changé par modulation d'une minute sur pression rapide des touches et par modulation accélérée en maintenant les touches enfoncées.
- 5** Pendant le clignotement de l'affichage de l'heure, Appuyer sur CLOCK ADJUST.  
L'horloge se met en marche et l'affichage initial réapparaît.

Pour appeler l'affichage de l'heure (appareil en contact): **⏏**  
(Peut seulement être activé au moyen de la télécommande)

Appuyer sur DISPLAY lorsque l'appareil est en marche.

## Sélection de l'affichage **⏏**

(Sur la télécommande seulement)

Appuyer sur DISPLAY lorsque l'appareil est en marche.

L'affichage change sur chaque pression de la touche.

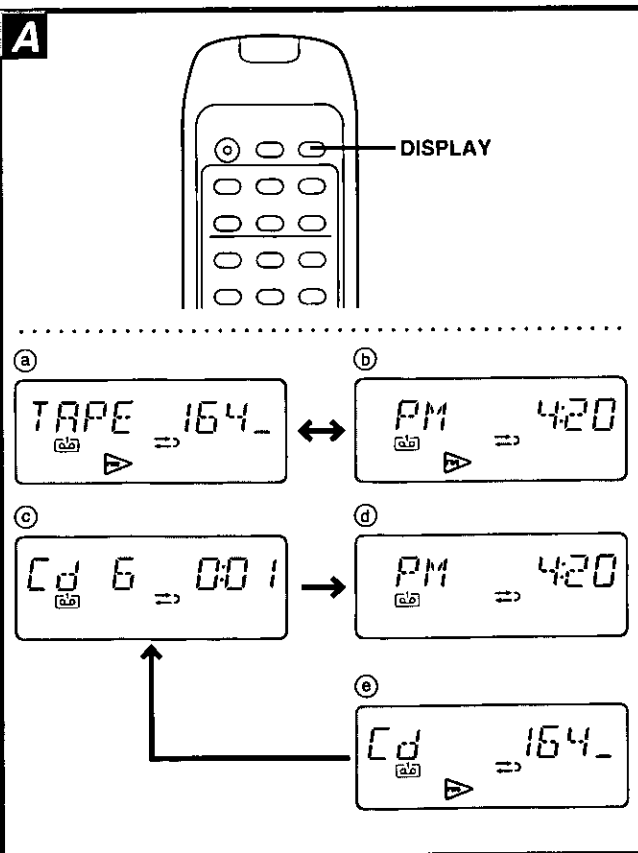
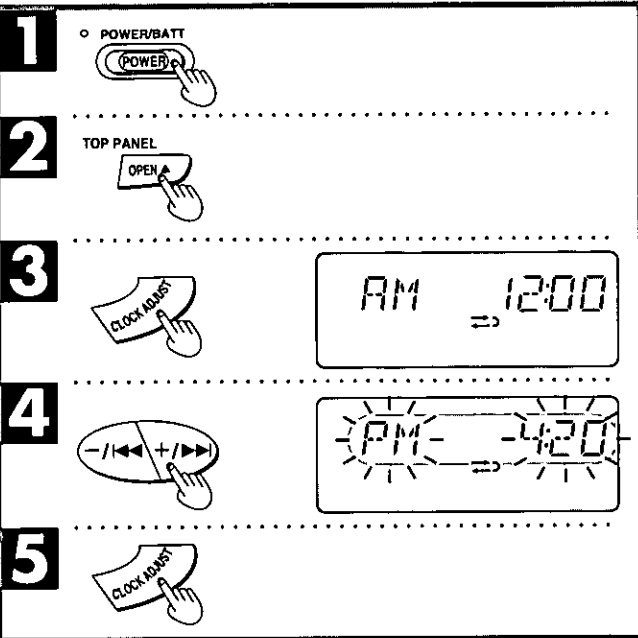
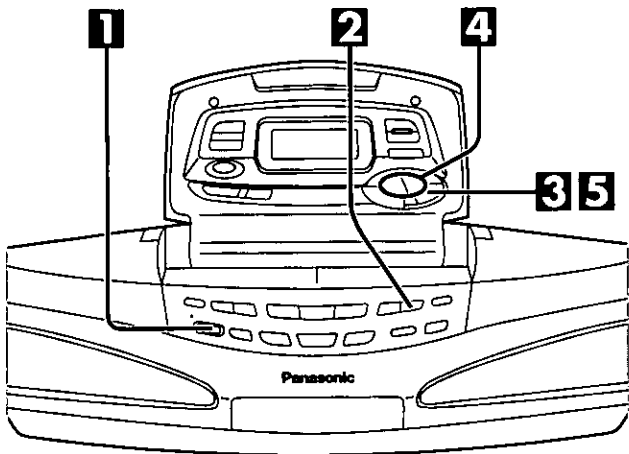
• Avec magnétophone à cassette en marche

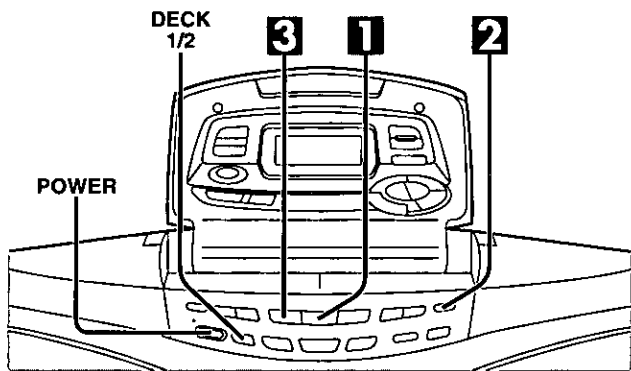
- ⓐ Compte-tours
- ⓑ Heure du jour

• Avec radio ou lecteur CD en marche

- ⓐ Mode de lecture/Fréquence
- ⓑ Heure du jour
- ⓒ Compte-tours

"—" apparaît à l'affichage du compte-tours si aucune cassette n'a été mise en place.





**1** Indique qu'il n'y a aucune cassette en place

**2**

Insérer la cassette côté exposé vers soi.

**3**

Indicateur du sens de défilement

**A**

La platine correspondant à l'indicateur de la platine allumé (1 ou 2) peut être utilisée.

**B**

Compte-tours

## Lecture de cassettes

La lecture est possible sur les deux platines.  
Le lecture accepte les cassettes de position normale, élevée et métal.

Appuyer sur l'interrupteur (POWER).  
(Seulement lorsque l'appareil fonctionne sur piles)

**1** Appuyer sur ■ STOP pour sélectionner le mode lecteur de cassettes.

CD ↔ TAPE  
(L'affichage change sur chaque pression de la touche.)

**2** Appuyer sur la touche ▲ DECK 1 ou ▲ DECK 2, insérer une cassette et refermer le rabat.

Le sens de défilement avant est automatiquement sélectionné (▶ apparaît à l'affichage).

**3** Appuyer sur ◀▶.

L'indication "FWD" s'affiche et la lecture débute ("REV" s'affiche quand la lecture débute pendant l'affichage de l'indication ◀).

▶: Lecture en sens avant.  
◀: Défilement dans le sens inverse.

**Pour interrompre la lecture:**

Appuyer sur ■.

**Pour entendre le côté opposé de la bande:**

Appuyer sur ◀▶ pendant la lecture.

### Conseil pratique

Une pression de la touche ◀▶ met automatiquement l'appareil en marche et, si une cassette est en place dans l'appareil, la lecture débute (seulement si l'appareil fonctionne sur le secteur).

## Commutation de platine

La dernière platine dans laquelle une cassette est insérée est automatiquement sélectionnée.

Appuyer sur DECK 1/2 pour sélectionner la platine 1 ou 2. [A]

### Nota

- Si l'avance accélérée ou le rebobinage est en cours sur une platine et que l'autre est sélectionnée et que la lecture est lancée par pression de la touche ◀▶, l'avance accélérée ou le rebobinage est interrompu.
- Si la lecture est en cours sur une platine et que l'autre est sélectionnée et que la touche ▲/▶▶ ou ▼/◀◀ est pressée, la lecture est interrompue.

## Remise à zéro du compte-tours

(Sur la télécommande seulement)

Appuyer sur C-RESET. [B]

**Types de bande pouvant être utilisés:**

L'appareil identifie automatiquement le type de bande.

Position normale/TYPE I	○
Position élevée/TYPE II	○
Position métal/TYPE IV	○

## Lecture de cassettes

### Avance accélérée et rebobinage

En mode arrêt, appuyer sur la touche FF [TPS] ou REW [TPS].

	Rebobinage	Avance accélérée
Commandes de l'appareil	∨ / ◀◀	^ / ▶▶
Sur la télécommande	REW [TPS]	FF [TPS]

### Repérage du début d'une plage (TPS: Dispositif mémoire)

Appuyer autant sur la touche qu'il y a de plages à sauter (jusqu'à concurrence de 9).

Appuyer sur la touche en mode lecture.

	Défilement arrière	Défilement avant
Commandes de l'appareil	∨ / ◀◀	^ / ▶▶
Sur la télécommande	REW [TPS]	FF [TPS]



### Nota

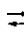

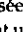
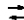
- Du fait que le dispositif mémoire effectue le repérage du début des pièces en fonction des intervalles vierges entre les pièces, le dispositif pourrait ne pas fonctionner dans les situations suivantes:
  - Si l'intervalle dure moins de 4 secondes ou comporte un niveau élevé de bruit.
  - Si il n'y a aucun espace vierge sur la bande (comme dans les situations où l'enregistrement a été fait au moyen d'un micro).
  - Si la pièce musicale comporte un passage silencieux ou de très faible niveau (comme pour la musique classique).
  - Si l'écart entre deux intervalles vierges est inférieur à 10 secondes.
- En présence d'un fondu d'entrée ou de sortie.
- Lorsque la lecture sur une platine est lancée sur pression de la touche ◀▶ pendant que l'avance accélérée ou le rebobinage est en cours sur l'autre platine, l'avance accélérée ou le rebobinage cesse.

### Sélection du mode d'inversion

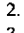
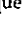
(Sur la télécommande seulement)

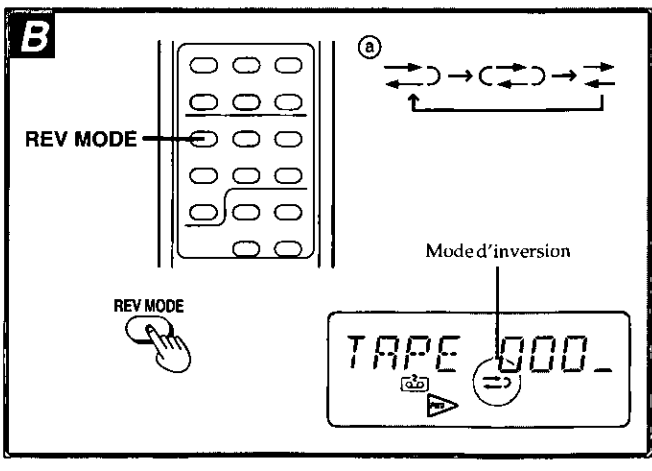
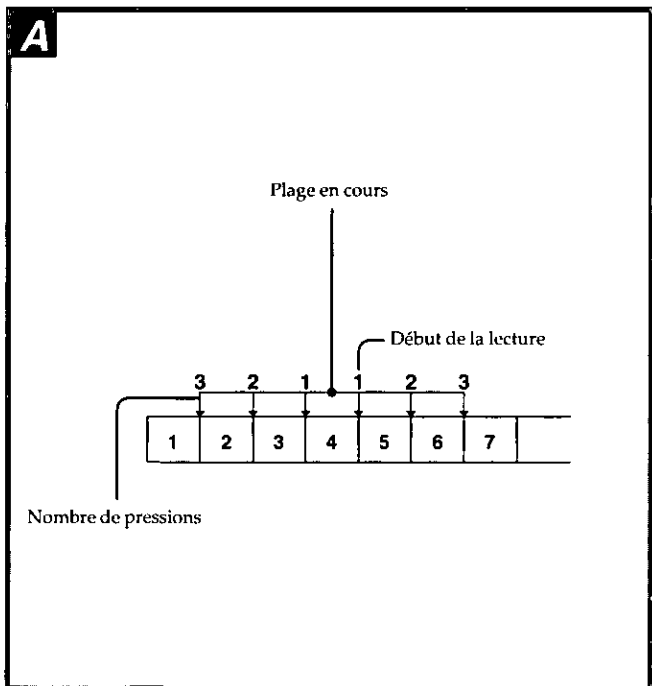
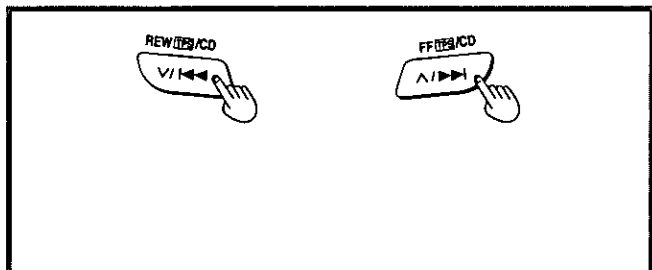
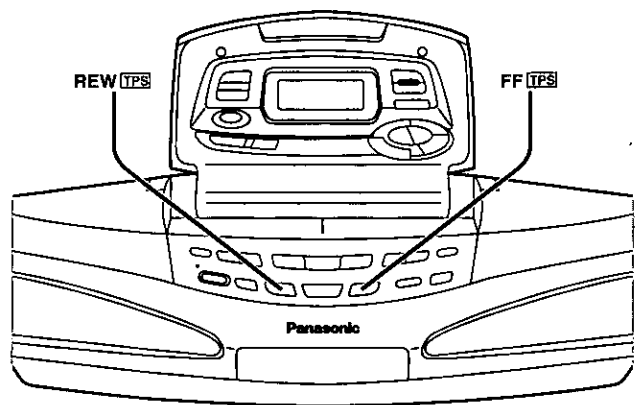
Appuyer sur REV MODE pour sélectionner le mode d'inversion.

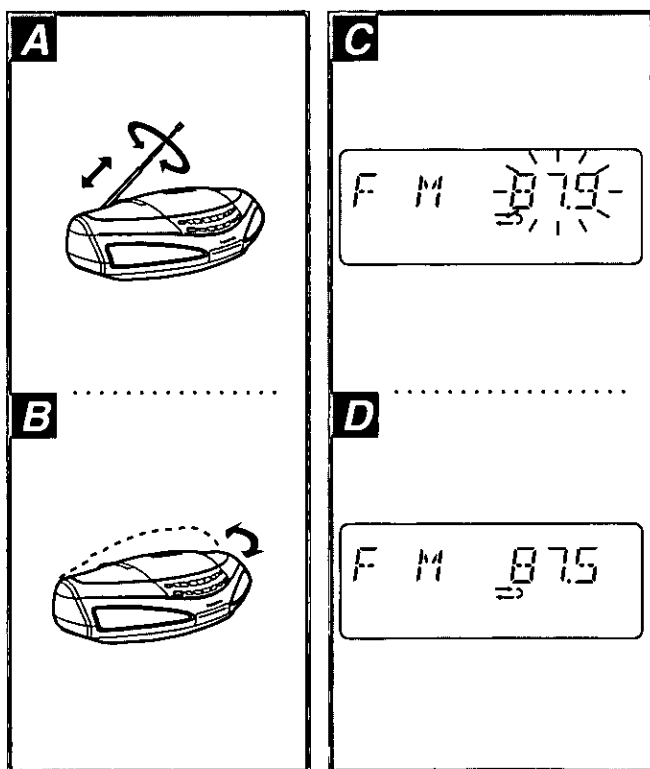
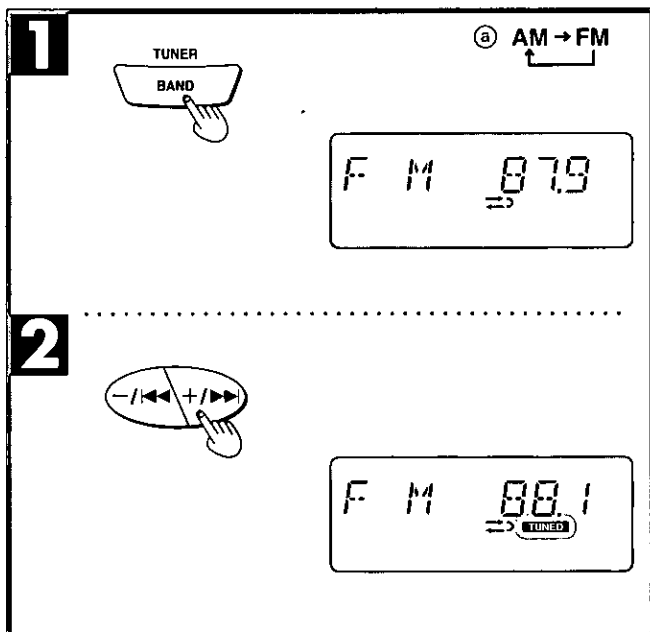
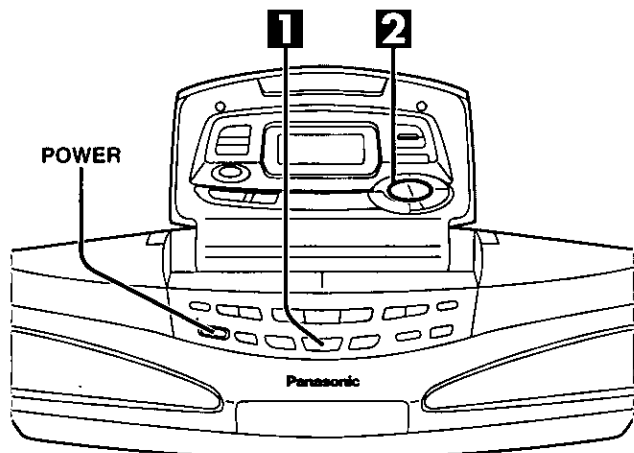
 L'affichage change sur chaque pression de la touche. 

-  La bande passe du côté avant (vers le haut) au côté inverse, puis s'arrête en fin de bande.
-  La lecture des deux côtés de la cassette est répétée jusqu'à ce que la touche  (arrêt) soit pressée.  
(Si chaque platine contient une cassette, les deux sont lues à répétition.)
-  Un seul côté est lu, puis le défilement est arrêté en fin de bande.

### Lecture enchaînée de deux cassettes:

1. Insérer une cassette dans chacune des platines.
2. Sélectionner le mode d'inversion ().
3. Appuyer sur DECK 1/2 pour sélectionner la platine de lecture (1 ou 2).
4. Appuyer sur ◀▶ pour faire débuter la lecture.  
La lecture des deux cassettes se poursuit jusqu'à ce que la touche  (arrêt) soit pressée.





## Écoute de la radio

Appuyer sur l'interrupteur (POWER).  
(Seulement si l'appareil fonctionne sur piles)

**1** Appuyer sur la touche sélecteur de bande (BAND) pour sélectionner "AM" ou "FM".

L'affichage change sur chaque pression de la touche. Ⓐ

**2** Appuyer sur +/▶▶ ou -/◀◀ pour syntoniser la station désirée.

+ / ▶▶ : Vers la limite supérieure de la bande.

- / ◀◀ : Vers la limite inférieure de la bande.

Régler la syntonisation jusqu'à ce que l'indication **TUNED** s'affiche (l'indication clignote ou ne s'affiche pas si la réception est faible).

### Syntonisation automatique:

Maintenir la touche +/▶▶ ou -/◀◀ enfoncée jusqu'à ce que l'affichage de la fréquence change. Une station offrant une réception de qualité est alors automatiquement sélectionnée, ce qui met un terme au processus de sélection automatique.

Pour mettre fin à la syntonisation automatique, appuyer de nouveau sur la touche +/▶▶ ou -/◀◀.

### Conseils pratiques

- La pression de la touche BAND établit automatiquement le contact sur la radio et capte la dernière station syntonisée (l'appareil est alimenté sur le secteur seulement).
- La syntonisation automatique peut être interrompue sans qu'une station ait été syntonisée à cause d'interférences dans le spectre radio. Dans une telle éventualité, appuyer sur la touche +/▶▶ ou -/◀◀ pour sélectionner une station.

### Réglage de l'antenne

#### Réception FM:

Régler l'extension et l'orientation de l'antenne-fourte.

#### Réception AM:

Orienter l'appareil dans la direction offrant la meilleure réception.

### Pour référence

La réception radio peut s'avérer difficile dans un véhicule en mouvement ou dans un immeuble du fait de la faiblesse du signal. Dans de tels cas, placer l'appareil près d'une fenêtre.

### Pour changer la distribution des fréquences dans la bande FM (modulations de l'affichage des fréquences)

(Peut seulement être faite au moyen des commandes sur l'appareil)

En ajustant la distribution des fréquences, il sera possible de recevoir les stations FM assignées sur des espacements de fréquences par blocs de 100 kHz.

- 1 Appuyer sur la touche sélecteur de bande (BAND) pour sélectionner la bande AM.
- 2 Maintenir la touche enfoncée pendant environ 5 secondes. La fréquence inférieure de la bande FM apparaît alors sur l'afficheur et l'indication clignote. Maintenir la touche enfoncée encore 5 secondes. Ⓒ
- 3 Lorsque le clignotement de l'affichage cesse et que l'indication d'une autre fréquence apparaît, relâcher la touche. Ⓓ

Pour rétablir la syntonisation de la fréquence initiale, répéter les étapes 1 à 3 ci-dessus.

### Nota

Après avoir changé la distribution des fréquences, les stations présyntonisées sont effacées de la mémoire. (Voir à la page 13.)



**En cas d'interférence dans la bande FM**

(Sur la télécommande seulement)

Mettre la radio en mode monaural pour réduire le bruit.

Appuyer sur ST/MONO/BP.

L'indication **MONO** apparaît.

La réception est monaurale, mais le bruit est réduit et la réception devient plus claire.

Pour rétablir la réception stéréophonique, appuyer de nouveau sur ST/MONO/BP pour faire disparaître l'indication **MONO**.

Tant que l'indication **MONO** demeure éteinte, la réception des émissions diffusées en stéréophonie se fait en mode stéréophonique.

**Écoute de stations présynchronisées**

Suite à la programmation de stations radio, leur syntonisation s'effectue des plus facilement.

La mémoire accepte 10 stations FM et dix stations AM.

**Mise en mémoire des stations**

(Peut seulement être faite au moyen des commandes sur l'appareil)

Pour programmer des stations sur les bandes FM et AM.

**1** Appuyer sur le sélecteur BAND pour sélectionner la bande "AM" ou "FM".

**2** Appuyer sur +/▶▶ ou -/◀◀ pour sélectionner la station.

**3** Appuyer une fois sur •MEMORY.  
L'indication **PGM** clignote.

**4** Pendant le clignotement du voyant **PGM**, Appuyer sur +/▶▶ ou -/◀◀ pour faire afficher la station à programmer.

**5** Pendant le clignotement du voyant **PGM**, Appuyer sur la touche •MEMORY.  
Si l'indication **PGM** s'éteint pendant la programmation, revenir à l'étape 3.

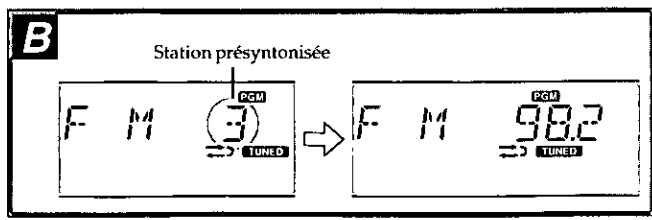
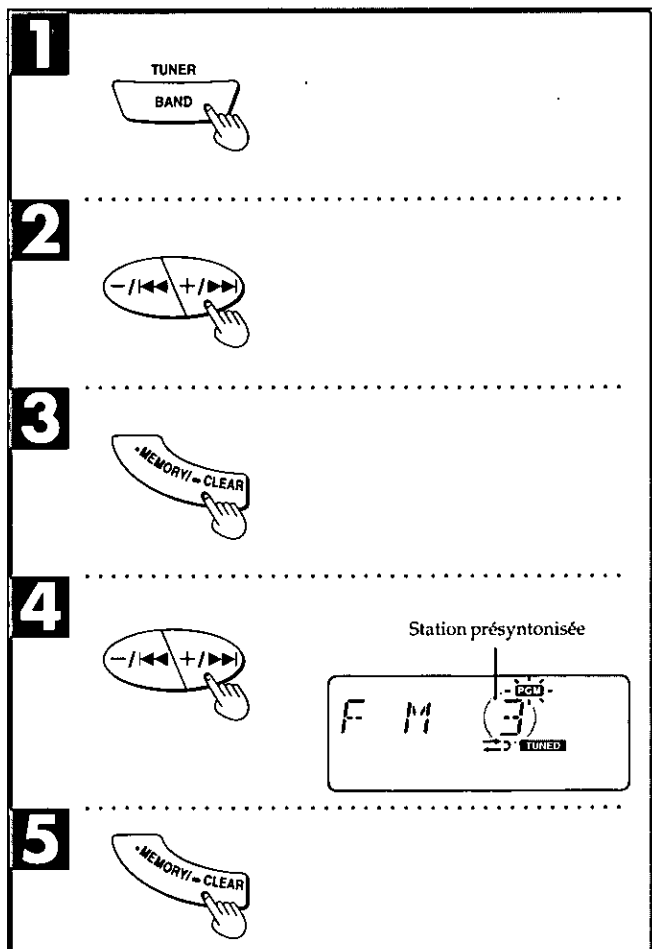
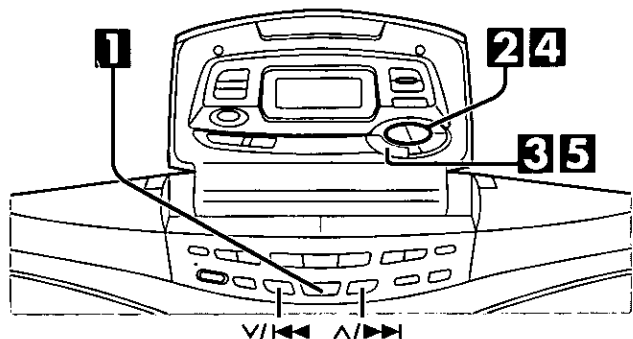
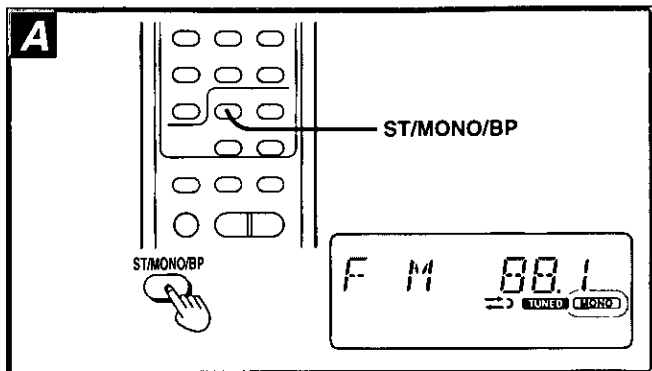
**6** Répéter les étapes 2 à 5 ci-dessus pour programmer d'autres stations.

**Syntonisation d'une station en mémoire**

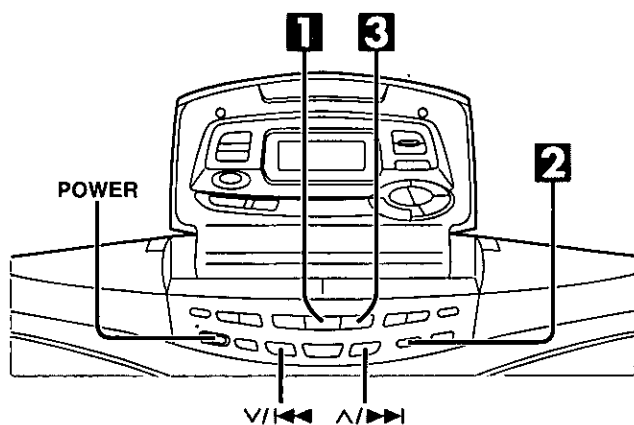
**1** Appuyer sur le sélecteur BAND pour sélectionner la bande "AM" ou "FM".

**2** Sélectionner la station en mémoire. **B**

	Fréquence inférieure	Fréquence supérieure
Commandes de l'appareil	▼/◀◀	▲/▶▶
Sur la télécommande	▼	▲



## Lecture de disques audionumériques



Appuyer sur l'Interrupter (POWER).  
(Seulement lorsque l'appareil fonctionne sur piles)

**1** Appuyer sur ■ STOP pour sélectionner le mode lecteur CD.

CD ↔ TAPE

(L'indication affichée change sur chaque pression de la touche.)

**2** Appuyer sur ▲ CD OPEN/CLOSE, insérer un disque, puis appuyer de nouveau sur ▲.

Insérer le disque étiquette sur le dessus.

**3** Appuyer sur ►/|| PLAY/PAUSE.

À la fin de la lecture de la dernière plage, la lecture est interrompue.

**Pour interrompre la lecture:**

Appuyer sur ■ STOP.

Appuyer sur ►/|| pour interrompre momentanément la lecture.

Appuyer de nouveau sur ►/|| pour poursuivre la lecture.

### Nota

Dans l'éventualité où de l'interférence serait causée par un appareil radio ou un téléviseur, en éloigner l'appareil le plus possible.

### Conseil pratique

Une pression sur ►/|| établit le contact automatiquement sur l'appareil et si un disque CD est en place, la lecture débute (lors de l'alimentation sur le secteur seulement).

### Évitement de plages

Appuyer autant de fois sur la touche qu'il y a de plages à sauter.

	Vers le début du disque	Vers la fin du disque
Sur l'appareil	v/◀◀	◀/▶▶
Sur la télécommande	◀◀	▶▶

### Avance accélérée et rebobinage

Maintenir la touche enfoncée en mode lecture ou pause.

	Vers le début du disque	Vers la fin du disque
Sur l'appareil	v/◀◀	◀/▶▶
Sur la télécommande	◀◀	▶▶

**1**

Indique qu'il n'y a aucun CD en place.

**2**

Étiquette

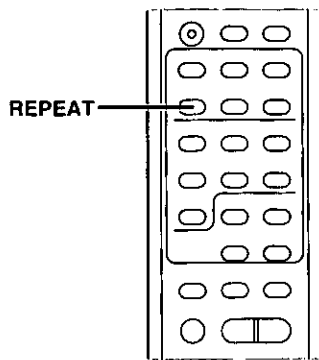
Durée du disque

Nombre total de plages

**3**

Durée de lecture en cours

Numéro de la plage en cours



### Lecture de plages en reprise

(Sur la télécommande seulement)

#### Appuyer sur REPEAT.

L'affichage change sur chaque pression de la touche. Ⓐ

#### Lecture en reprise d'une seule plage:

Appuyer sur REPEAT de manière à faire apparaître l'indication . Ⓐ

#### Lecture en reprise de toutes les plages:

Appuyer sur REPEAT de manière à faire apparaître l'indication . Ⓑ

#### Lecture en reprise d'une séquence programmée:

- ① Programmer les plages voulues (étapes 1 à 4 à la page 16).
- ② Appuyer sur REPEAT de manière à faire apparaître l'indication .
- ③ Appuyer sur ►/|| pour débuter la lecture.

#### Annulation de la lecture en reprise:

Appuyer sur REPEAT pour annuler le mode ou .

### Lecture aléatoire

(Sur la télécommande seulement)

#### 1 Appuyer sur ■/CLEAR pour sélectionner le mode lecteur CD.

#### 2 Avec le lecteur CD en mode arrêt, appuyer sur RANDOM.

L'indication ne s'affiche pas si la touche est pressée pendant que le lecteur CD est en mode lecture.

#### 3 Appuyer sur ►/||.

Toutes les plages sont lues dans un ordre aléatoire, puis la lecture est automatiquement interrompue.

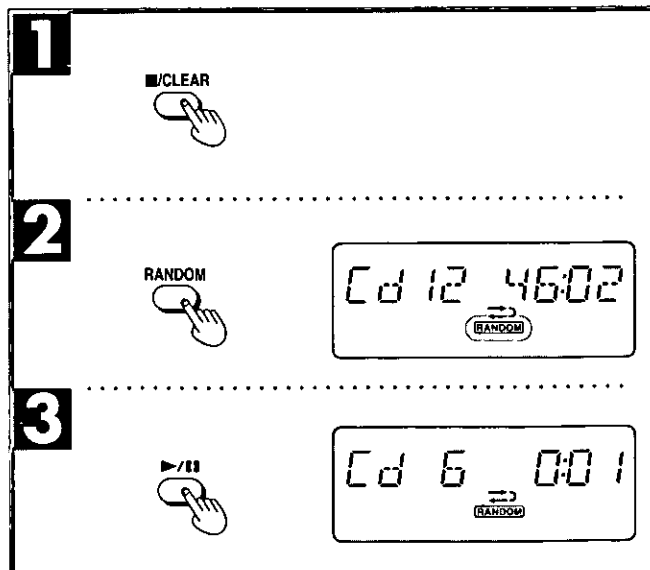
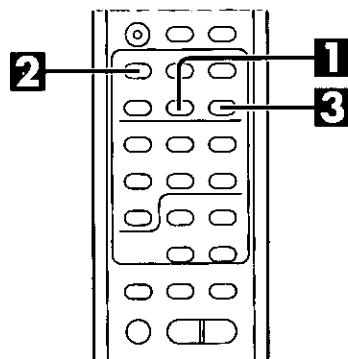
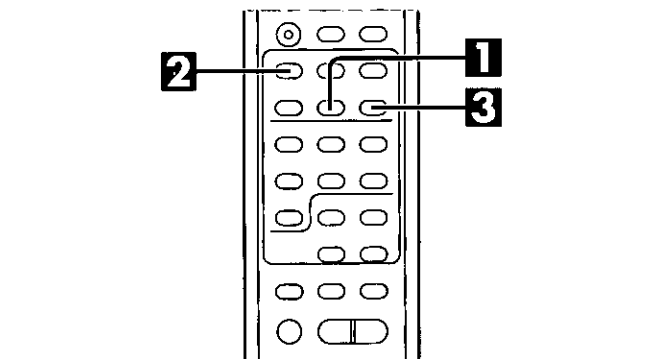
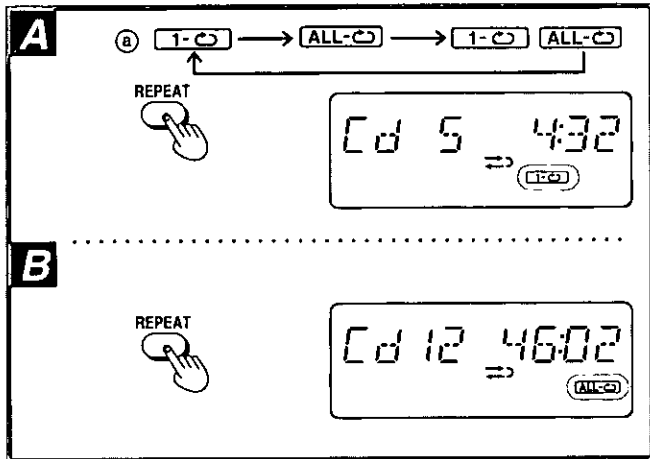
#### Annulation de la lecture aléatoire:

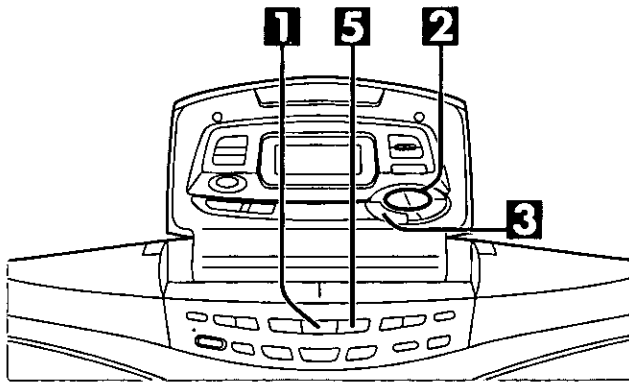
Appuyer sur RANDOM pour faire disparaître l'indication .

- Si l'annulation est demandée en cours de lecture aléatoire, le lecteur CD poursuit la lecture, dans l'ordre, jusqu'à la fin du disque, puis se met automatiquement hors marche.

#### Nota

- Il n'est pas possible d'utiliser la lecture aléatoire de pair avec la lecture programmée.
- La lecture de plages déjà lues n'est pas possible.
- Le repérage avant et arrière n'est possible qu'à l'intérieur de la plage en cours.





**1**

**2**

Durée

Numéro de plage

**3**

Ordinal de programmation

Plage programmée

**4**

Durée de la séquence programmée

**5**

**A**

### Sélection et lecture d'une séquence de plages favorites (Lecture programmée)

Une séquence programmée peut comporter jusqu'à 36 plages.  
(Peut seulement être faite au moyen des commandes sur l'appareil)

- 1** Appuyer sur ■ STOP pour sélectionner le mode lecteur CD.  
Lorsque l'indication **RANDOM** est affichée, appuyer sur RANDOM sur la télécommande pour la faire disparaître.
- 2** Appuyer sur +/▶▶ ou -/◀◀ pour sélectionner la plage voulue.
- 3** Appuyer sur •MEMORY pour mettre la plage sélectionnée en mémoire.
- 4** Poursuivre la programmation en répétant les étapes 2 et 3.
- 5** Appuyer sur ▶/|| PLAY/PAUSE.  
Les plages sont lues dans l'ordre de leur programmation, puis la lecture est automatiquement interrompue.

#### Annulation de la lecture programmée:

(Commandes de l'appareil)

Maintenir la touche •MEMORY/ ● CLEAR enfoncée avec le lecteur CD en mode arrêt jusqu'à ce que l'indication "CLEAR" s'affiche.

(Sur la télécommande)

Appuyer sur la touche ■/CLEAR avec le lecteur CD en mode arrêt jusqu'à ce que l'indication "CLEAR" s'affiche.

Il est également possible d'annuler la lecture programmée en appuyant sur la touche ▲ CD OPEN/CLOSE.

#### Lorsque l'indication "—:—" est affichée:

La durée totale de la séquence programmée excède 120 minutes.

#### Lorsque l'indication "FULL" est affichée:

La séquence programmée comporte déjà 36 plages. Aucune autre plage ne peut être mise en mémoire.

#### Vérification de la programmation:

Appuyer sur ^/▶▶ ou v/◀◀ avec le lecteur CD en mode arrêt.

Sur chaque pression de l'une de ces touches, il est possible de vérifier le numéro de la plage et sa position au sein de la séquence programmée.

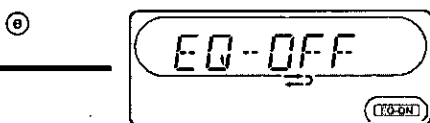
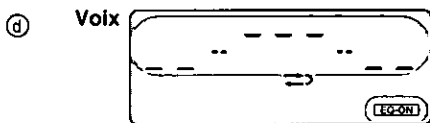
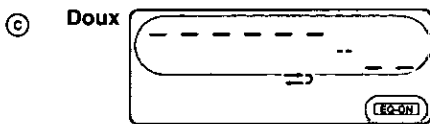
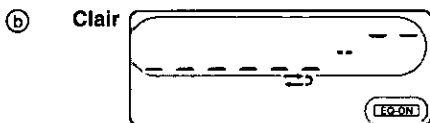
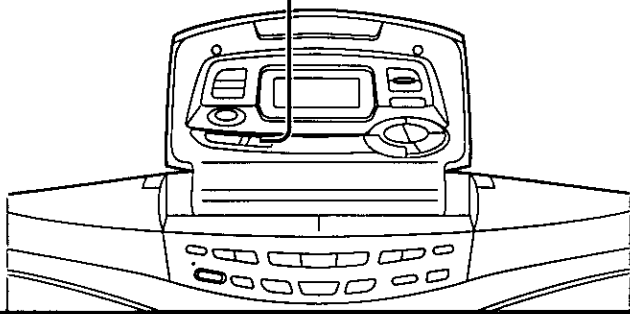
#### Sauvegarde en mémoire des plages programmées:

La programmation est conservée en mémoire même si la lecture est arrêtée ou que le contact est coupé sur l'appareil.

L'affichage de l'indication "P" confirme que les plages programmées sont conservées en mémoire.

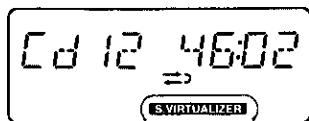
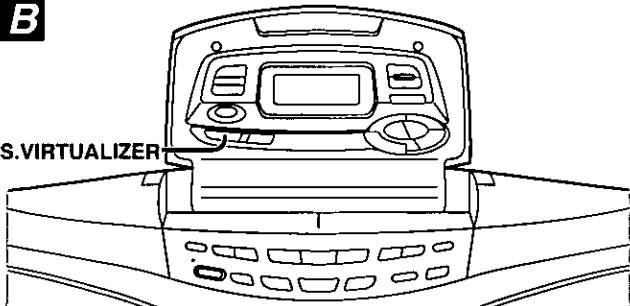
**A**

PRESET EQ



**B**

S.VIRTUALIZER



## Sélection des effets d'égalisation

Quatre effets d'égalisation sont offerts.

Appuyer sur PRESET EQ pour sélectionner l'effet désiré.

L'affichage graphique du rendu sonore change sur chaque pression de la touche.

- (a) Confère plus de dynamisme à la musique rock et autres genres musicaux (XBS)
- (b) Allège le rendu de la musique populaire et d'autres genres musicaux (Clair)
- (c) Améliore la qualité de la musique d'ambiance (Doux)
- (d) Rehausse la reproduction des voix (Voix)
- (e) Aucun effet.

## Effet "en direct" (Virtualisation sonore)

L'effet "en direct" reproduit la tridimensionnalité d'une prestation sur scène. Contrairement aux systèmes ambliophoniques antérieurs, le système de virtualisation sonore maintient la clarté des médiums tels que les voix tout en conférant une ampleur et une profondeur naturelles à la musique.

La virtualisation sonore n'est possible qu'avec un signal stéréophonique.

Appuyer sur S.VIRTUALIZER pour faire apparaître l'indication **S.VIRTUALIZER**.

### Annulation de l'effet sonore virtuel:

Appuyer sur S.VIRTUALIZER pour faire disparaître l'indication **S.VIRTUALIZER**.

#### • Écoute sur casque

L'effet est moins perceptible avec un casque que sur les haut-parleurs.

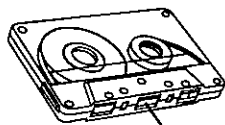
#### • Lorsque les hautes fréquences sont excessives

Avec certains genres de musique, les hautes fréquences sont parfois désagréables. Dans un tel cas, régler le rendu au moyen des courbes d'égalisation prédéfinies jusqu'à obtention d'un rendu plaisant.

#### • En cas d'interférence dans la bande FM

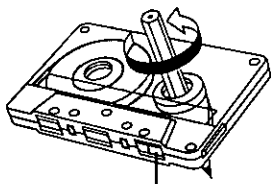
Si l'interférence est accrue, annuler l'effet de virtualisation.

**A**



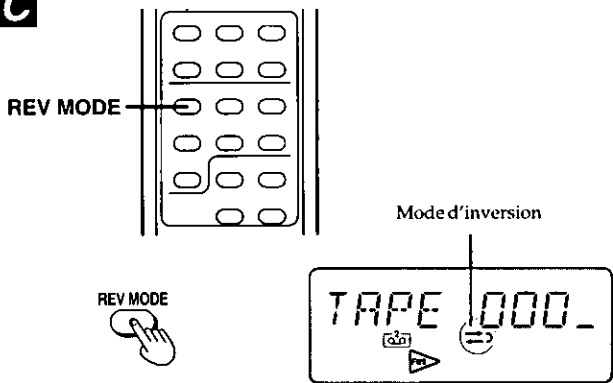
Insérer la cassette côté exposé vers soi.

**B**



Bande amorce (sur laquelle aucun enregistrement n'est possible).

**C**




## Types de bandes pouvant être utilisés

L'appareil identifie automatiquement le type de bande.


Position normale/TYPE I	○
Position élevée/TYPE II	○
Position métal/TYPE IV	×

L'enregistrement ou l'effacement sur bande métal n'offre pas de bons résultats.

## Introduire une cassette dans la platine 2 avec le côté sur lequel doit débiter l'enregistrement vers le haut.

Le sens de défilement  est automatiquement sélectionné lorsque le côté sur lequel doit débiter l'enregistrement est vers le haut.


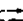
### • Enregistrement à partir du début de la bande


Faire défiler la bande amorce. 

### • Enregistrement à partir du milieu de la bande

Interrompre le défilement de la cassette à l'endroit à partir duquel l'enregistrement doit débiter.

## Appuyer sur la touche REV MODE de la télécommande pour sélectionner le mode.

 : l'enregistrement débute sur le côté du dessus et se poursuit sur le côté opposé, puis s'arrête automatiquement.

: n'enregistre que sur un côté de la cassette, puis s'arrête automatiquement.

### Nota

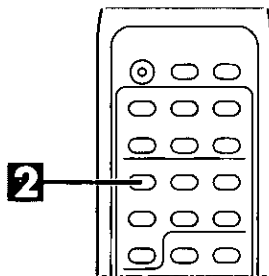
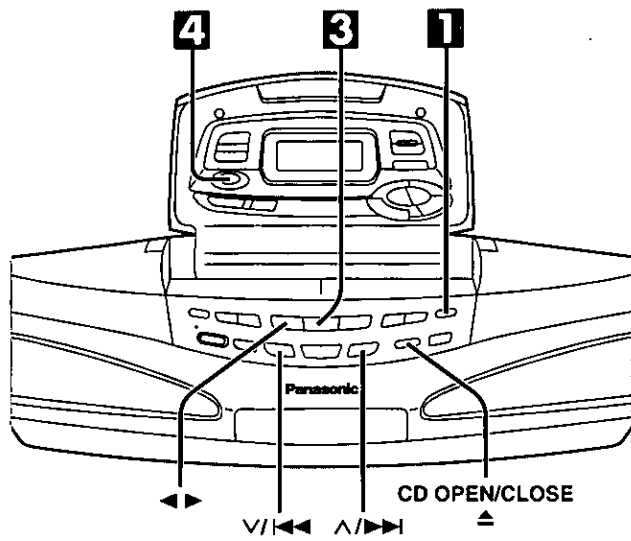
#### • Il n'est pas possible d'utiliser la platine 1 pendant un enregistrement.

L'indication "E" apparaît si l'utilisateur tente de mettre la platine 1 en marche.

• Le changement du réglage du volume ou de la tonalité n'a aucun effet sur le signal enregistré.

• Afin de prévenir tout risque de difficulté que pourrait causer des piles trop faibles, il est recommandé de faire fonctionner l'appareil sur le secteur ou de remplacer toutes les piles avant d'effectuer un enregistrement important.

• Le niveau d'enregistrement est automatiquement réglé.



## Enregistrement d'un CD (Platine 2 seulement)

L'enregistrement et la lecture du CD débutent simultanément.  
Préparatifs: mettre un CD en place.

**1** Ouvrir le rabat de la platine 2 et introduire la cassette avec le côté sur lequel l'enregistrement doit débiter vers le haut.  
La durée de la bande doit excéder la durée de lecture du CD.

**2** Sélectionner le mode d'inversion au moyen du sélecteur REV MODE sur la télécommande.

**3** Appuyer sur la touche ■ STOP pour sélectionner le mode lecteur CD.  
CD ↔ TAPE  
(L'affichage change sur chaque pression de la touche.)

**4** Appuyer sur ●/● II REC/REC PAUSE.  
L'indication "FWD REC" s'affiche, puis l'enregistrement et la lecture du CD débutent simultanément. L'indication "REV REC" s'affiche lorsque l'enregistrement est lancé alors que l'indication ◀ est affichée.

**Arrêt de l'enregistrement:**  
Appuyer sur ■ STOP.

**Interruption momentanée de l'enregistrement:**  
Appuyer sur ●/● II (la lecture du CD est également interrompue).  
Pour poursuivre l'enregistrement, appuyer de nouveau sur ●/● II.

## Après l'enregistrement

Lorsque la lecture du CD est terminée, le défilement de la cassette est automatiquement interrompue.

**Pour poursuivre l'enregistrement sur la même cassette à partir d'un CD différent:**

- ① Appuyer sur ▲ CD OPEN/CLOSE et remplacer le disque.
- ② Appuyer sur ●/● II.

## Enregistrement d'une séquence programmée

Après l'étape 3, programmer les plages voulues (voir les étapes 1 à 4 à la page 16).


## Pour sauter des plages à l'enregistrement

- ① Appuyer sur ●/● II pendant l'enregistrement.  
La lecture du CD est également interrompue.
- ② Appuyer sur ^/▶▶ ou v/◀◀ pour afficher le numéro de la plage suivante à enregistrer.
- ③ Appuyer sur ●/● II pour poursuivre l'enregistrement.


## Pour changer le sens de défilement pendant un enregistrement

Appuyer sur ◀▶ pendant l'affichage de l'indication ▶. Lorsque l'indication ◀ est affichée, appuyer sur ●/● II pour interrompre le défilement, puis appuyer de nouveau sur ◀▶ et sur ●/● II.

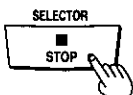
**1**




**2**



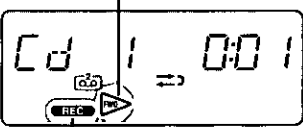
**3**



**4**



Indicateur du sens de défilement, platine 2



Allumé (clignote en mode pause)

**Enregistrement automatique**

Enregistrez toutes les plages d'un CD ou d'une séquence de plages dans l'ordre de leur programmation.

- Il n'est pas nécessaire de rebobiner la cassette. L'enregistrement se fait toujours à partir du début du côté de la bande qui se trouve vers le haut.
  - Si la fin de la bande est atteinte avant la fin de l'enregistrement d'une plage, l'enregistrement de celle-ci est repris sur le côté opposé de la bande.
- Préparatifs: mettre un CD en place.

**1** Appuyer sur **■ STOP** pour sélectionner le mode CD.

**2** Appuyer sur **CD REC MODE** pour afficher "AUTO".

L'affichage change sur chaque pression de la touche. ⓐ

La durée de bande nécessaire à l'enregistrement s'affiche. (Exemple: bande d'une durée de 47 minutes ou plus pour enregistrer toutes les plages.)

Lorsque l'indication "C ——" est affichée:

L'enregistrement automatique de CD n'est pas possible.

Suivre les instructions décrites à la page 19.

**3** Introduire une cassette dont la durée est supérieure à celle affichée à l'étape 2.

Insérer la cassette avec le côté sur lequel doit débiter l'enregistrement vers le haut.

**4** Appuyer sur **●/● II REC/REC PAUSE**.

La bande est automatiquement rebobinée, puis l'enregistrement débute à partir de la première plage après l'insertion d'un intervalle de silence de 10 secondes.

Le mode de défilement inverse est confirmé par l'indication  $\leftarrow \rightarrow$ .

- ① Rebobinage de la bande.
- ② Insertion d'un intervalle de silence de 10 secondes.
- ③ L'enregistrement débute.

**Interruption de l'enregistrement (la lecture du CD est également interrompue):**

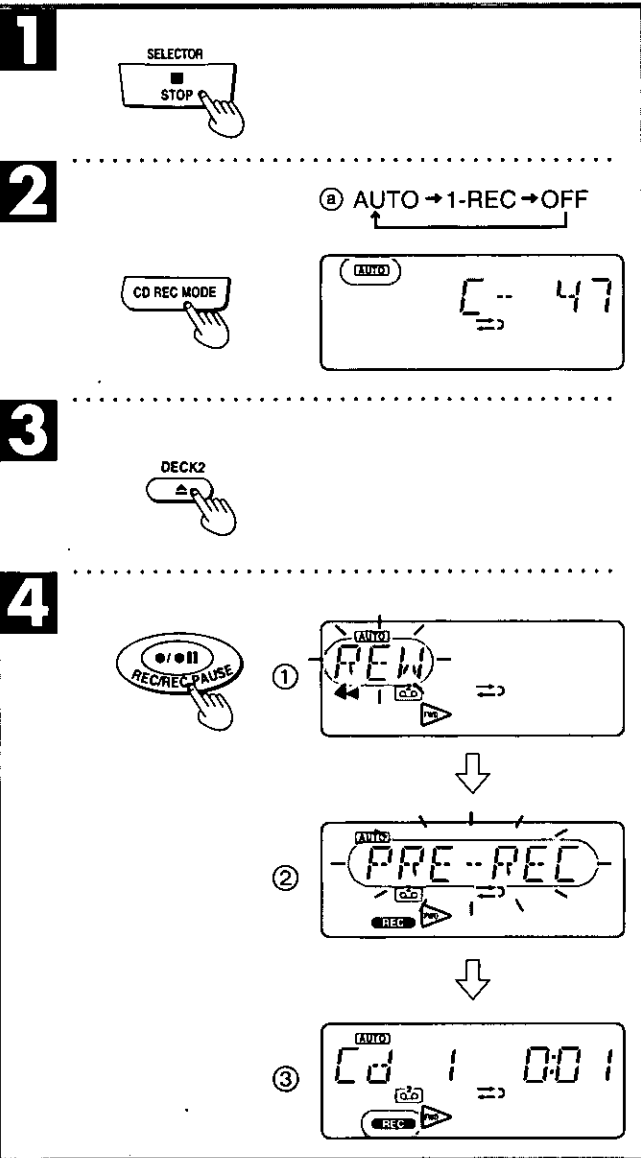
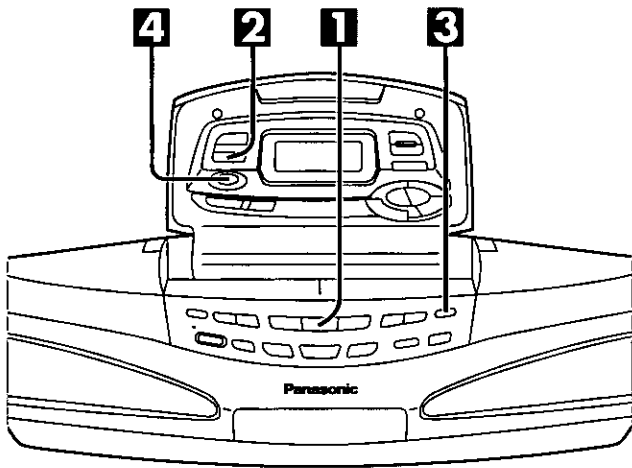
Appuyer sur **■ STOP**.

**Enregistrement des plages préférées:**

Après l'étape 1, programmer les plages voulues (se reporter aux étapes 1 à 4 à la page 16).

**Nota**

L'enregistrement automatique de CD ne peut être fait de concert avec la lecture aléatoire (se reporter à la page 15).





**Enregistrement d'une seule plage**

Enregistre une plage du CD, puis s'arrête. Cette fonction s'avère utile pour enregistrer une plage tirée de plusieurs CD.

L'enregistrement peut débuter à partir de n'importe quel endroit sur la bande.

Préparatifs: mettre un CD en place.

**1 Ouvrir le rabat du logement de la cassette de la platine 2 et y introduire une cassette avec le côté sur lequel l'enregistrement doit se faire vers le haut.**

Le sens de défilement est automatiquement réglé pour débuter du côté vers le haut (l'indication ► s'affiche).

Repérer l'endroit sur la bande à partir duquel l'enregistrement doit débuter.

**2 Appuyer sur ■ STOP pour sélectionner le mode CD.**

**3 Appuyer sur CD REC MODE afin que "1-REC" s'allume.**

L'affichage change sur chaque pression de la touche. Ⓞ

**4 Appuyer sur ▲/▶▶ ou ▼/◀◀ pour sélectionner la plage à enregistrer.**

Sauter cette étape si l'enregistrement doit se faire à partir du début de la première plage.

**5 Appuyer sur ●/●|| REC/REC PAUSE.**

La lecture du CD et l'enregistrement s'amorcent simultanément. Suite à l'enregistrement de la plage, le lecteur se met hors marche.

Le mode de défilement inverse est confirmé par l'indication ◀▶.

•Si la fin de la bande est atteinte avant que toute la plage n'ait été enregistrée, l'enregistrement est automatiquement repris depuis le début de la plage sur le côté opposé de la cassette (par contre, si l'enregistrement avait débuté sur le côté opposé, l'enregistrement ne peut être poursuivi).

**Poursuite de l'enregistrement à partir d'un autre CD:**

Appuyer sur ▲ CD OPEN/CLOSE, introduire un CD, puis suivre les étapes 4 et 5.

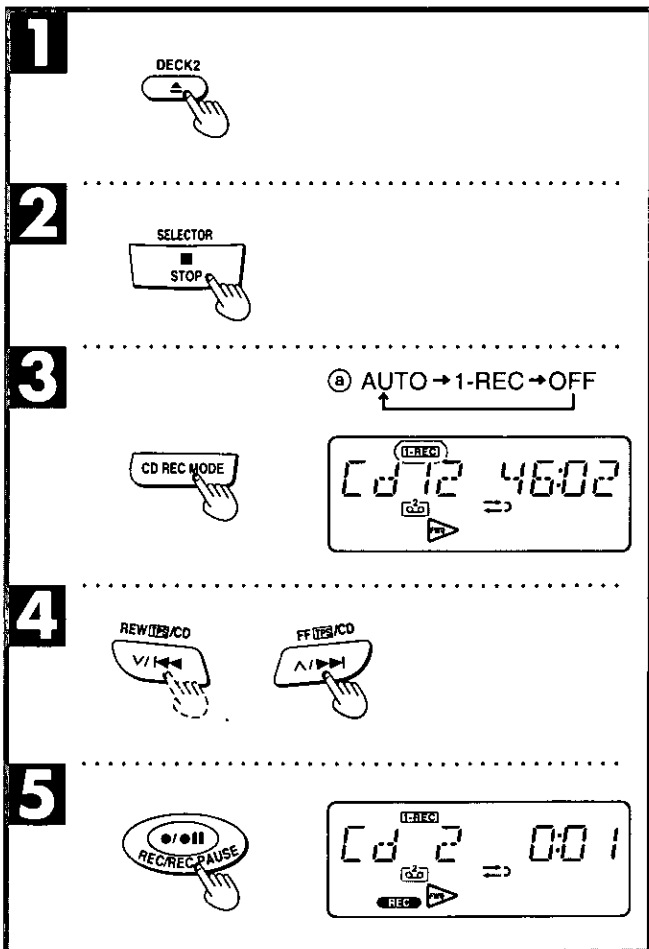
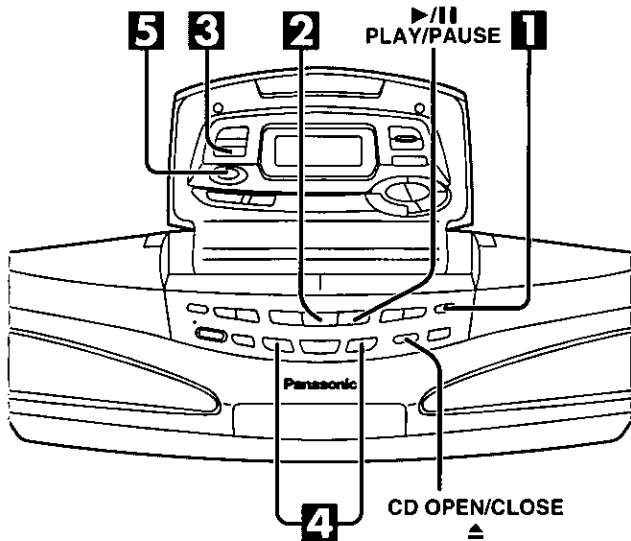
**Interruption de l'enregistrement (la lecture du CD est également interrompue):**

Appuyer sur ■ STOP.

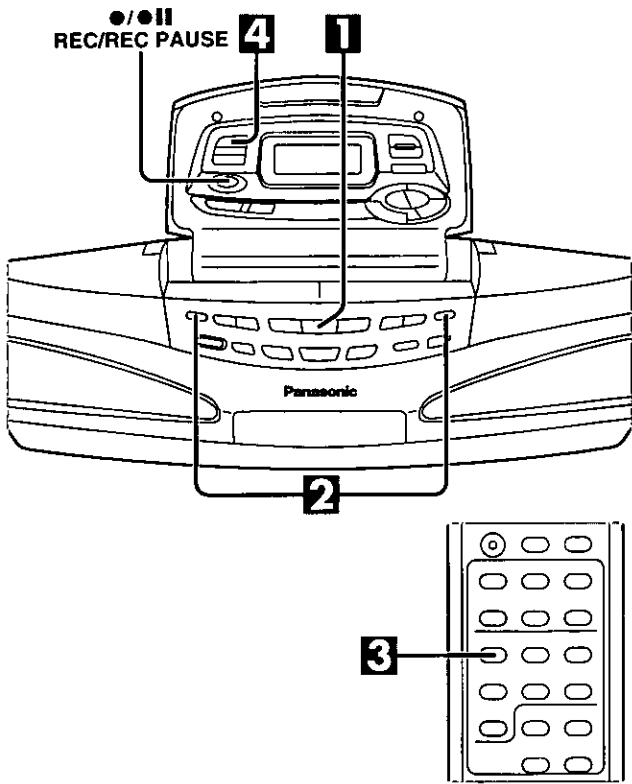
**Conseil pratique**

Écouter la plage avant d'en faire l'enregistrement pour savoir de quel genre de musique il s'agit. Appuyer sur CD REC MODE pour afficher 1-REC, puis sur ►/|| pour lancer la lecture du CD.

Appuyer sur ●/●|| pour enregistrer la plage voulue. La plage est enregistrée à partir du début.



## Duplication d'une cassette



- 1** Appuyer sur ■ STOP pour sélectionner le mode magnétophone à cassette.  
CD ↔ TAPE  
(L'affichage change sur chaque pression de la touche.)
- 2** Introduire la cassette source dans le logement de la platine 1 et la cassette d'enregistrement dans celui de la platine 2.
- 3** Appuyer sur la touche REV MODE de la télécommande pour sélectionner le mode.
- 4** Appuyer sur TAPE EDIT.  
La lecture, sur la platine 1, et l'enregistrement, sur la platine 2, débutent simultanément.

### Arrêt de l'enregistrement:

Appuyer sur ■.

### Interruption momentanée de l'enregistrement:

Appuyer sur ●/● REC/REC PAUSE.

Pour poursuivre l'enregistrement, appuyer sur TAPE EDIT.

**1** SELECTOR  
■ STOP

---

**2** DECK1  
▲  
DECK2  
▲

---

**3** REV MODE

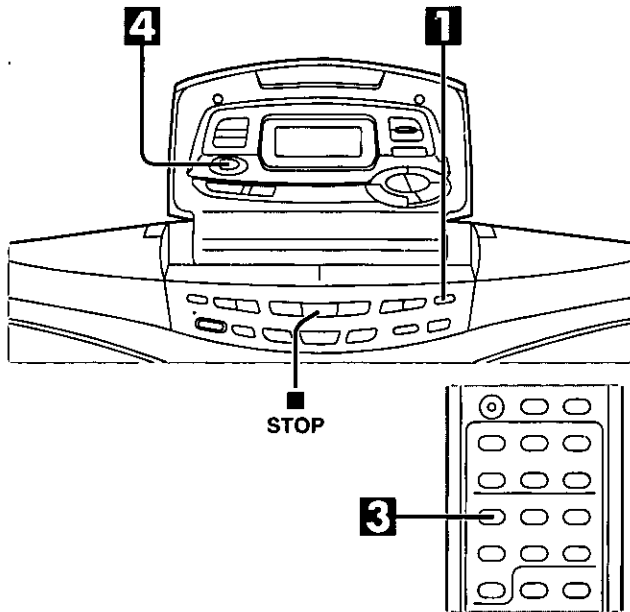
---

**4** TAPE EDIT

Indicateur du sens de défilement à l'enregistrement, platine 2

Allumé (clignote en mode pause)

## Enregistrement d'émissions radio (Platine 2 seulement)



- 1** Introduire une cassette dans le logement de la platine 2 avec le côté enregistré vers le haut.
- 2** Syntoniser la station voulue.  
(Se reporter aux pages 12 et 13.)
- 3** Sélectionner le mode au moyen de la touche REV MODE de la télécommande.
- 4** Appuyer sur **●/● II REC/REC PAUSE**.  
L'indication "FWD REC" s'affiche, puis l'enregistrement débute. L'indication "REV REC" s'affiche lorsque l'enregistrement est lancé alors que l'indication est affichée.

### Arrêt de l'enregistrement:

Appuyer sur .

### Interruption momentanée de l'enregistrement:

Appuyer sur **●/● II REC/REC PAUSE**.

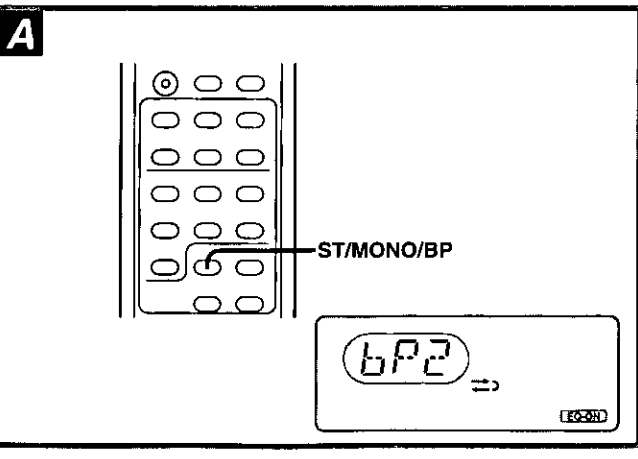
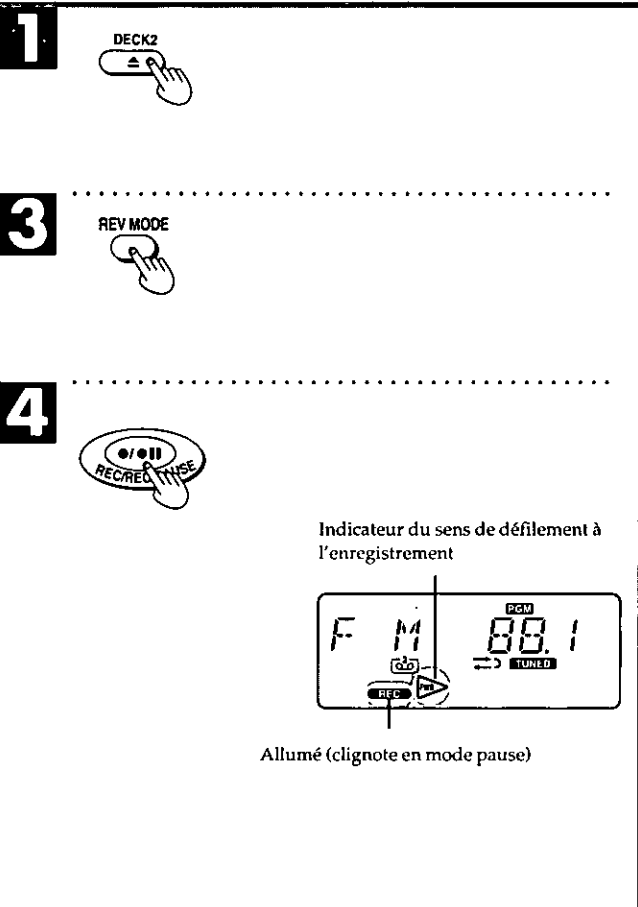
Pour poursuivre l'enregistrement, appuyer de nouveau sur la touche.

### Pour réduire les battements dans la bande AM pendant l'enregistrement

(Sur la télécommande seulement.)

### Appuyer sur la touche ST/MONO/BP.

Sélectionner la position, bP1 ou bP2, qui offre les meilleurs résultats.



## Lecture différée

L'horloge affiche l'heure selon un système de 12 heures.  
Les minuteries A et B peuvent être réglées et utilisées séparément pour la mise en marche/hors marche différée.

Exemple: Programmation de la lecture d'un CD de 7:00 AM à 8:30 AM sur la minuterie A.

### Réglage des heures de début et de fin

**1** Appuyer sur POWER pour mettre l'appareil en marche.

**2** Appuyer sur TIMER ADJUST pour faire clignoter "ON" [A] ou "ON" [B].

ON [A] → OFF [A] → ON [B] → OFF [B]

Affichage d'origine ← OFF [REC] ← ON [REC] ←

(L'indication affichée change sur chaque pression de la touche.)

**3** ① Appuyer sur +/▶▶ ou -/◀◀ pendant le clignotement de l'indication "ON [A]" ou "ON [B]" pour régler l'heure de mise en marche.

② Appuyer sur TIMER ADJUST.

L'heure de mise hors marche clignote.

**4** ① Appuyer sur +/▶▶ ou -/◀◀ pour régler l'heure de mise hors marche.

② Appuyer sur TIMER ADJUST.

L'indication d'origine s'affiche.

Lorsque l'indication "E" s'affiche:

Vérifier si les heures de mise en marche et hors marche sont les mêmes.

### Programmation de la lecture

**5** Préparer l'appareil source.

Écoute de cassettes: se reporter aux pages 10 et 11.

● Utilisation avec la minuterie d'enregistrement différé

Toujours introduire la cassette source dans le logement de la platine; l'indication [CD] doit être affichée.

Écoute de la radio: se reporter aux pages 12 et 13.

Lecture d'un CD: se reporter aux pages 14 à 16.

**6** Appuyer sur VOLUME pour régler le volume de la lecture.

### Activation de la minuterie

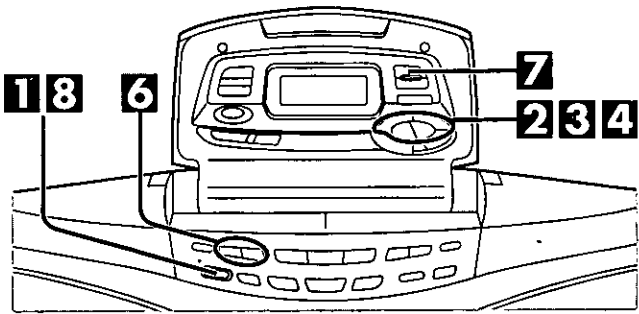
**7** Appuyer sur PLAY TIMER A (ou B) de manière à afficher l'indication "PLAY".

Lorsque l'indication "E" est affichée:

S'assurer que l'horloge a été réglée (à la page 9).

**8** Appuyer sur POWER pour mettre l'appareil hors contact.

Il est possible de vérifier la programmation même si le contact a été coupé (voir à la page 27).



**1** POWER/BATT (POWER)

**2** TIMER ADJUST

**3** ① -/◀◀ +/▶▶  
② TIMER ADJUST

Début

**4** ① -/◀◀ +/▶▶  
② TIMER ADJUST

Fin

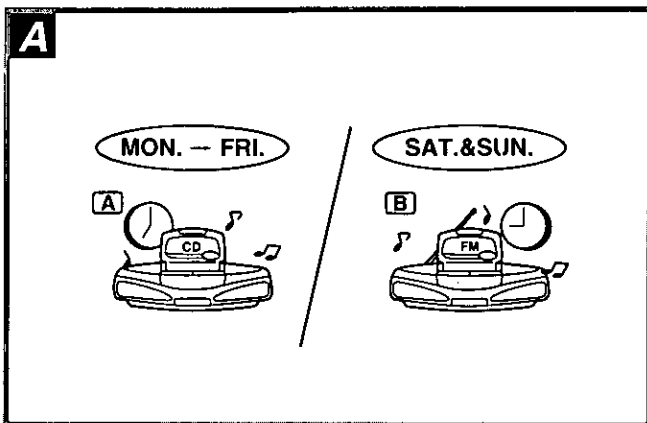
**6** VOLUME

**7** PLAY TIMER A

**8** POWER/BATT (POWER)

Clignote à l'heure programmée

10:45 → Cd 1 00:00

**Désactivation de la minuterie:**

Appuyer sur PLAY TIMER A (ou B) lorsque l'appareil est en contact pour faire disparaître l'indication [A] ou [B].

**Lecture après la fin de la programmation: (après l'étape 7)**

- ① Amorcer la lecture de la source musicale.
  - Les informations relatives à la programmation de la minuterie sont conservées en mémoire même si le réglage du volume ou la source musicale est modifié pour l'écoute.
- ② Après l'écoute, couper le contact.
  - Le mode magnétophone à cassette et le sens de défilement affichés au moment de la mise hors contact sont mis en mémoire. Après écoute de la musique, vérifier la platine sélectionnée pour la lecture différée et le sens de défilement avant de couper le contact.
  - Lorsque la minuterie est utilisée pour mettre le lecteur CD en marche, vérifier le réglage du mode de lecture aléatoire, en reprise ou programmée avant de couper le contact.

**Nota**

Toujours couper le contact avant l'heure de mise en marche programmée; autrement, la minuterie ne pourra s'enclencher.

**Pour changer la source sélectionnée ou le réglage du volume:**

Appuyer sur PLAY TIMER A ou B pour faire disparaître l'indication [A] ou [B], puis suivre les étapes 5 à 8.

**Pour une mise en marche quotidienne à la même heure:**

S'assurer que l'indication [A] ou [B] est affichée, puis couper le contact.

**Utilisation combinée des minuteries**

**Exemple: Lecteur de disques à partir de 7:00 AM les jours de semaine et une station FM à partir de 9:00 AM les fins de semaine. [A]**

- ① Programmer la minuterie A pour la lecture de CD.
- ② Programmer la minuterie B pour l'écoute de la radio.
- ③ Afficher l'indication [A] pour les jours de semaine et [B] pour les fins de semaine (se reporter à la page 24).

• [A] et [B] ne peuvent être affichés simultanément.

## Enregistrement différé

L'horloge affiche l'heure selon un système de 12 heures.  
Il est possible d'enregistrer des émissions radio à une heure préétablie.  
Exemple: Enregistrement d'émissions radio de 1:00 PM à 2:30 PM.

### Réglage des heures de début et de fin

- 1** Appuyer sur POWER.
- 2** Appuyer sur TIMER ADJUST de manière que l'indication "ON (REC)" clignote.  
→ ON [A] → OFF [A] → ON [B] → OFF [B] →  
Affichage d'origine ← OFF (REC) ← ON (REC) ←  
(L'indication change sur chaque pression de la touche.)
- 3**
  - ① Appuyer sur +/▶▶ ou -/◀◀ pendant que l'indication "ON (REC)" clignote pour régler l'heure de mise en marche.
  - ② Appuyer sur TIMER ADJUST.  
L'heure de fin clignote.
- 4**
  - ① Appuyer sur +/▶▶ ou -/◀◀ pour régler l'heure de mise hors contact.
  - ② Appuyer sur TIMER ADJUST.  
L'affichage revient en mode d'origine.  
Lorsque l'indication "E" s'affiche:  
Vérifier si les heures de mise en marche et hors marche sont les mêmes.

### Programmation de l'enregistrement

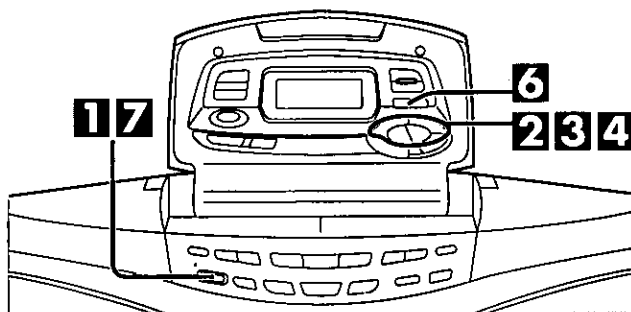
- 5** Préparer la source musicale.
  - ① Syntoniser la station voulue.
  - ② Introduire une cassette dans le logement de la platine 2.
  - ③ Appuyer sur la touche REV MODE de la télécommande pour sélectionner le mode.
  - Réduire le volume si l'écoute pendant l'enregistrement n'est pas désirée.
  - En cas de présence d'interférence pendant l'enregistrement d'une station AM, appuyer sur ST/MONO/BP.

### Activation de la minuterie

- 6** Appuyer sur REC TIMER pour afficher l'indication "REC".  
Lorsque l'indication "E" est affichée:  
S'assurer que l'horloge a été réglée (voir à la page 9).
- 7** Appuyer sur POWER pour couper le contact.  
Il est possible de vérifier la programmation lorsque le contact est coupé (voir à la page 27).  
Le contact est établi environ 30 secondes avant l'heure prévue et le début de l'enregistrement.

### Désactivation de la minuterie:

Appuyer sur REC TIMER lorsque l'appareil est en contact pour faire disparaître l'affichage de l'indication (REC).



**1**

**2**

**3**

①

Début

②

**4**

①

Fin

②

**6**

**7**

Clignote à l'heure programmée

**Écoute de musique après programmation: (après l'étape 6)**

- ① Débuter la lecture de la source musicale voulue.  
La programmation de la durée de l'enregistrement demeure en mémoire même si le réglage du volume ou la source est changé.
- ② Après l'écoute, couper le contact.  
Le sens de défilement affiché au moment de la mise hors contact est mis en mémoire. Après l'écoute de la musique, vérifier la platine sélectionnée pour le sens de défilement (▶ ou ◀) avant de couper le contact.

**Pour changer la station programmée:**

Appuyer sur REC TIMER de manière à faire disparaître l'indication [REC], puis suivre les instructions des étapes 5 à 7.

**Pour un enregistrement différé tous les jours à la même heure:**

S'assurer que l'indication [REC] est affichée, puis couper le contact.

**Nota**

Toujours couper le contact avant l'heure programmée pour la mise en marche; autrement, la minuterie ne pourra s'enclencher.

**Vérification de la programmation**

Il est possible de vérifier la programmation de la lecture et de l'enregistrement différés.

**Appuyer sur TIMER ADJUST lorsque le contact est coupé.**

Les indications affichées changent dans l'ordre suivant.

Exemple: Lecture d'une cassette de 7:00 AM à 8:30 AM programmée sur la minuterie A. [A]

- ① Heure de mise en marche programmée
- ② Heure de mise hors marche programmée
- ③ Source musicale programmée  
Les indications [▶] ([▶▶]) et ▶ (◀) ne sont pas affichées si l'appareil fonctionne sur piles.
- ④ Volume programmé
- ⑤ Affichage d'origine

**Utilisation combinée de la lecture et de l'enregistrement différés**

Exemple: Réveil au sein d'une cassette suivi de l'enregistrement d'une émission radio. [B]

- ① Programmer la minuterie (A ou B) pour la lecture différée d'une cassette (voir à la page 24).
  - ② Programmer la minuterie pour l'enregistrement différé d'une émission radio et introduire une cassette d'enregistrement dans le logement de la platine 2 (voir à la page 26).
- Introduire la cassette source dans le logement de la platine 1 et celle d'arrivée dans le logement de la platine 2. Dans un tel cas, la lecture différée ne se fait que sur la cassette de la platine 1.

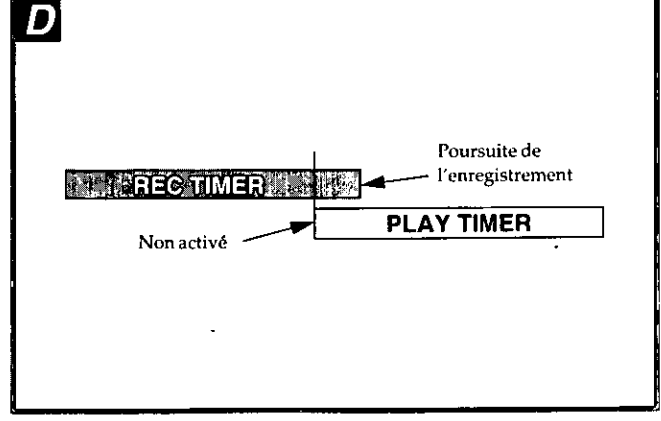
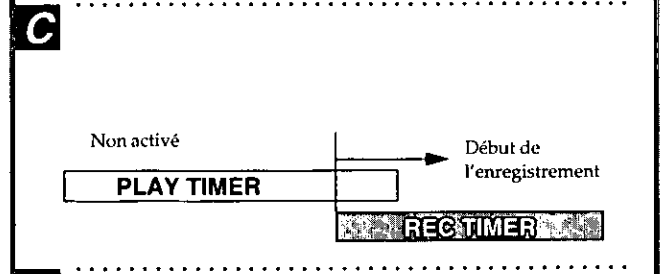
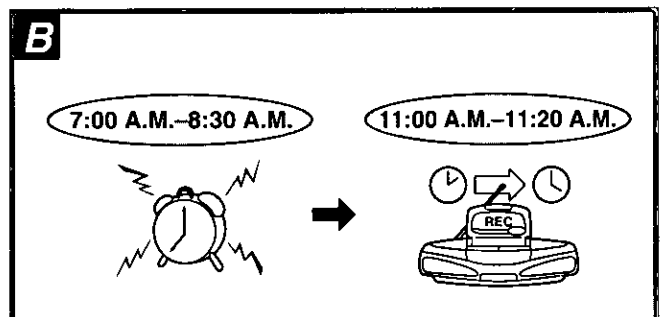
**En cas de chevauchement des heures programmées**

- Si l'enregistrement est programmé pour débuter avant la fin de la lecture [C]  
La lecture est interrompue et l'enregistrement débute.
- Lorsque la lecture est programmée pour débuter pendant l'enregistrement [D]  
L'enregistrement se poursuit. La lecture différée n'est pas activée.

**A**

Indicateur A ou B

- ①
- ②
- ③
- ④
- ⑤



## Minuterie-sommeil

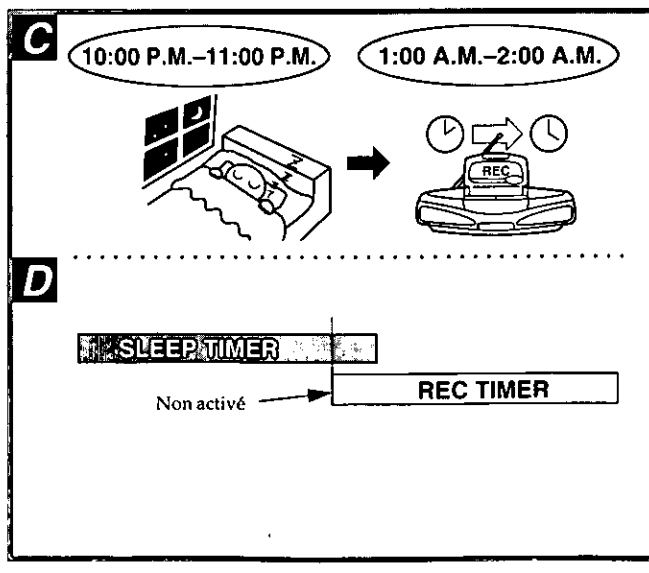
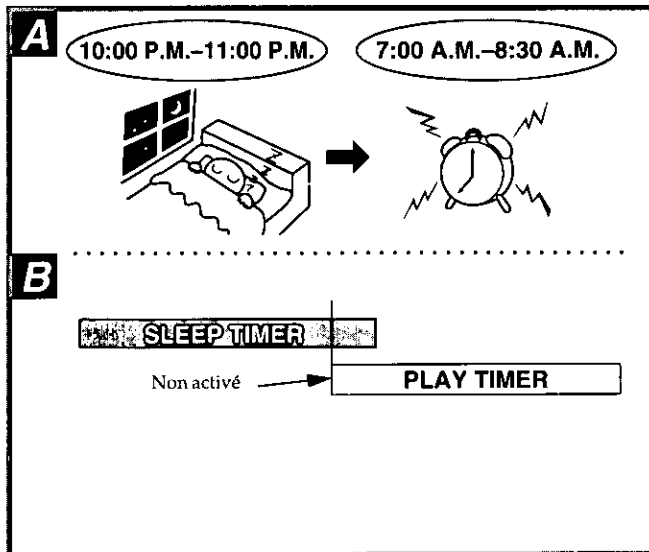
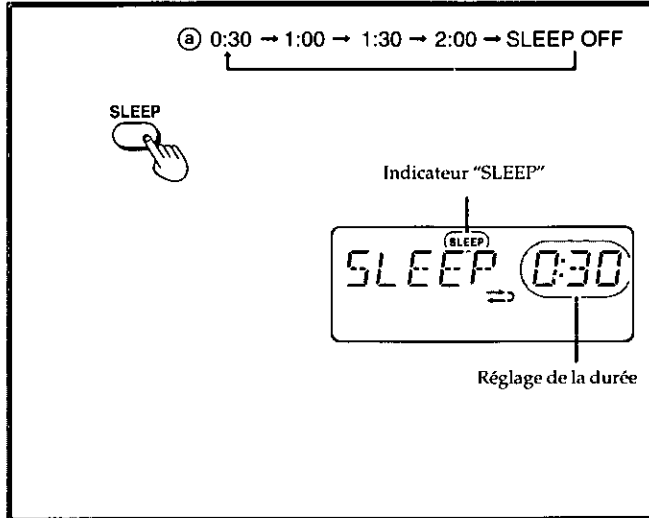
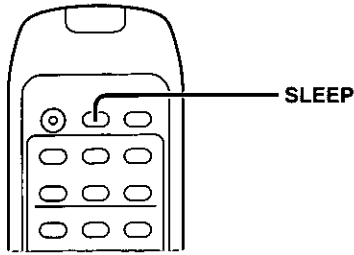
(Sur la télécommande seulement)

L'heure de mise hors contact peut être réglée jusqu'à deux heures à l'avance.

Appuyer sur SLEEP pour programmer la durée voulue.

L'affichage change sur chaque pression de la touche. ⓐ

L'appareil est mis hors contact lorsque le temps programmé est écoulé.



### Utilisation combinée de la minuterie-sommeil et de la lecture différée

Exemple: S'endormir au son de la radio (FM) et réveil au son d'un disque.

- 1 Programmer la lecture différée (minuterie A ou B) pour la lecture différée d'un CD (voir à la page 24).
- 2 Syntoniser la station désirée, puis régler l'heure de la minuterie-sommeil. Le CD est lu au volume préréglé même s'il a été réduit pour l'écoute avant de s'endormir.

#### • En cas de chevauchement des heures programmées **A**

Lorsque la lecture a été programmée pour débuter avant l'heure de mise hors contact, elle est annulée. Le contact est coupé à l'heure préétablie. Toujours programmer l'heure de la minuterie-sommeil de manière qu'elle intervienne avant l'heure prévue pour la lecture différée.

### Utilisation combinée de la minuterie-sommeil et de l'enregistrement différé

Exemple: S'endormir au son d'une cassette suivi de l'enregistrement d'une émission radio (FM). **C**

- 1 Programmer l'enregistrement différé de l'émission radio et introduire une cassette dans le logement de la platine 2 (voir à la page 26).
- 2 Introduire une cassette source dans le logement de la platine 1, puis régler l'heure de la minuterie-sommeil.

#### • En cas de chevauchement des heures programmées **D**

Lorsque l'enregistrement a été programmé pour débuter avant l'heure de mise hors contact, il est annulé. Le contact est coupé à l'heure préétablie. Toujours programmer l'heure de la minuterie-sommeil de manière qu'elle intervienne avant l'heure prévue pour l'enregistrement différé.



### Utilisation d'un microphone

#### Fonction Karaoke

1. Baisser le volume et raccorder le microphone (vendu séparément).
2. Débuter la lecture d'un CD ou d'une cassette, ou syntoniser la radio.
3. Activer la fonction Karaoke, commencer à chanter et régler le volume.

#### Enregistrement avec fonction Karaoke et accompagnement musical sur CD

1. Baisser le volume et raccorder le microphone.
2. Insérer un CD et programmer la lecture de la plage voulue. (Se reporter à la page 16.)
3. Insérer une cassette dans le logement de la platine 2.
4. Appuyer sur REV MODE de la télécommande pour sélectionner le mode d'inversion.
5. Appuyer sur ●/● || REC/REC PAUSE.  
La lecture et l'enregistrement débutent.

#### Enregistrement avec fonction Karaoke et accompagnement musical sur cassette

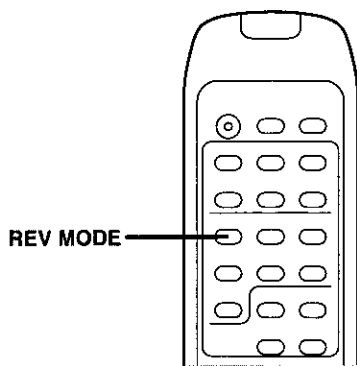
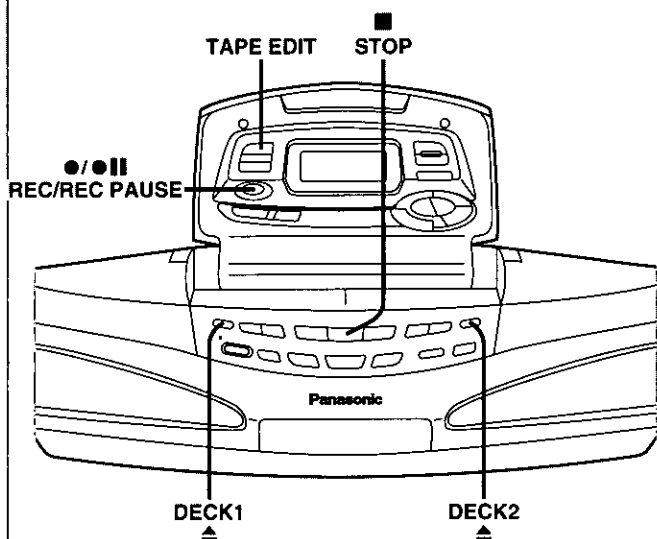
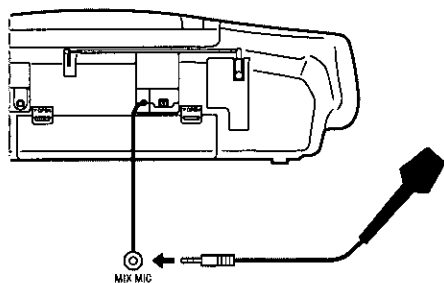
1. Baisser le volume et raccorder le microphone.
2. Insérer la cassette Karaoke dans le logement de la platine 1 et la cassette d'arrivée dans le logement de la platine 2.
3. Appuyer sur REV MODE de la télécommande pour sélectionner le mode d'inversion.
4. Appuyer sur ■.
5. Appuyer sur TAPE EDIT.  
La lecture et l'enregistrement débutent.

#### Enregistrement avec un microphone


1. Baisser le volume et raccorder le microphone.
2. Appuyer sur ■.
3. Insérer une cassette dans le logement de la platine 2.
4. Appuyer sur REV MODE de la télécommande pour sélectionner le mode d'inversion.
5. Appuyer sur ●/● || REC/REC PAUSE.  
L'enregistrement débute.

#### Nota

Lorsque la fonction Karaoke est utilisée avec un CD, l'écoute n'est possible que pendant la lecture du disque. Aucun son n'est entendu en mode arrêt ou pause.



## À propos des disques audionumériques

Seuls les disques audionumériques portant ce symbole pourront être utilisés sur cette chaîne. 

### Retrait d'un disque de son boîtier

Appuyer sur le support central et soulever le disque en le tenant par son pourtour.

### Manipulation du disque

Tenir le disque par son pourtour de façon à ne pas marquer sa surface avec des empreintes digitales. Empreintes, poussière et marques peuvent causer de la distorsion et des erreurs de lecture.

### Rangement du disque dans son boîtier

Insérer le disque avec l'étiquette sur le dessus et pousser au centre.

### Nettoyage de la surface du disque

Si le disque est sale, l'essuyer doucement avec un chiffon doux et humide (eau seulement).

Si le disque est amené d'un endroit froid à un environnement chaud, de l'humidité risque de se déposer sur le disque.

Essuyer l'humidité avec un chiffon doux, sec et sans charpie avant d'utiliser le disque.

### Rangement inapproprié du disque:

Les disques peuvent être endommagés s'ils sont rangés;

- Dans un endroit exposé aux rayons directs du soleil
- Dans un endroit humide ou poussiéreux
- Dans le compartiment à gant ou sur la plage arrière d'une voiture

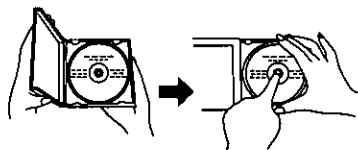
### Précautions de maniement:

- Ne pas écrire sur l'étiquette avec un stylo à bille ou tout autre crayon.
- Ne pas utiliser de nettoyants en vaporisateur, de produits contre l'électricité statique ni de solvant d'aucune sorte.
- Ne pas coller d'étiquettes ou papier sur le disque. La colle des étiquettes ou toute autre substance, pourrait avoir débordé et ainsi causer un mauvais fonctionnement.

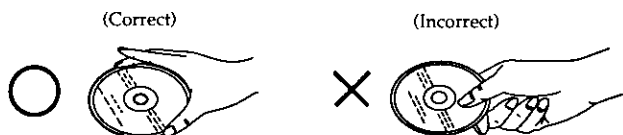
A

COMPACT  
disc  
DIGITAL AUDIO

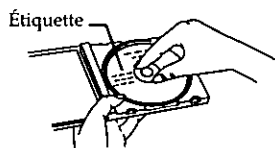
B



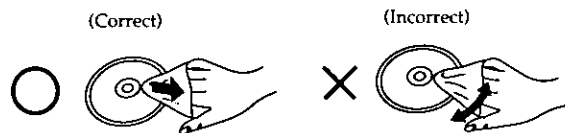
C



D



E



## À propos des cassettes

### Choix des bandes magnétiques

#### Cassettes de durée supérieure à 100 minutes:

Ce type de cassette est très pratique car il permet une longue durée d'enregistrement ou de lecture. Attention cependant de ne pas effectuer des arrêts/démarrages, rebobinages/avances rapides fréquents et à courts intervalles de temps sinon le ruban, qui est plus mince qu'à l'ordinaire, risque de se détendre et de s'emmêler dans les pièces mobiles de l'appareil.

#### Cassettes sans fin:


Une mauvaise manipulation de ces cassettes pourrait emmêler le ruban dans les pièces mobiles.

Il est recommandé d'utiliser une bande appropriée au mécanisme d'inversion automatique de l'appareil.

### Si la tension de la bande se relâche, la rétablir

Si la bande n'est pas bien tendue, celle-ci pourrait se rompre.

### Prévention d'effacement d'enregistrements

Pour enregistrer sur une cassette protégée, recouvrir les orifices de bande adhésive. 

Ne pas recouvrir les orifices de détection des cassettes de position élevée.




### Rangement des cassettes:

Afin de prévenir tout risque de dommage, ne pas ranger les cassettes dans les endroits suivants;

- Là où la température est élevée [35°C (95°F) ou plus] et où l'humidité est supérieure à 80%.
- Près d'un champ magnétique puissant (près d'un haut-parleur, sur un téléviseur, etc.).  
Cela pourrait effacer les enregistrements.
- Là où les cassettes risquent d'être exposées aux rayons directs du soleil.



### Effacement d'une bande enregistrée:

Débrancher le microphone.

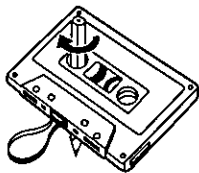
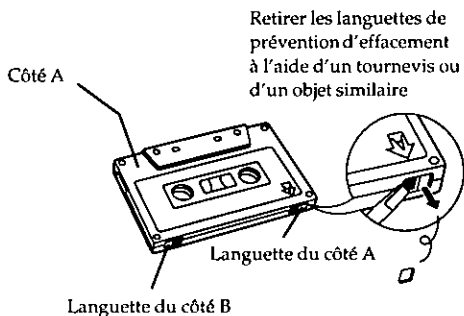
1. Introduire la cassette dans le logement de la platine 2.
2. Appuyer sur .
3. Appuyer sur  /  REC/REC PAUSE.

### Nettoyage des têtes

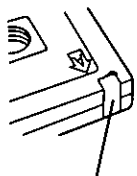
Afin d'assurer une sonorité de qualité optimale à l'enregistrement et à la lecture, il est fortement recommandé de nettoyer les têtes après chaque période de 10 heures d'utilisation.

1. Appuyer sur  DECK 1 et  DECK 2 pour ouvrir le rabat des logements de la cassette.
2. Avec un coton-tige, nettoyer les surfaces entrant en contact avec la bande (parties ombragées de l'illustration ci-contre).

À part l'alcool, n'utiliser aucune autre solution pour nettoyer les têtes.

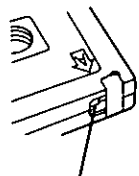
**A****B****C**

Position normale

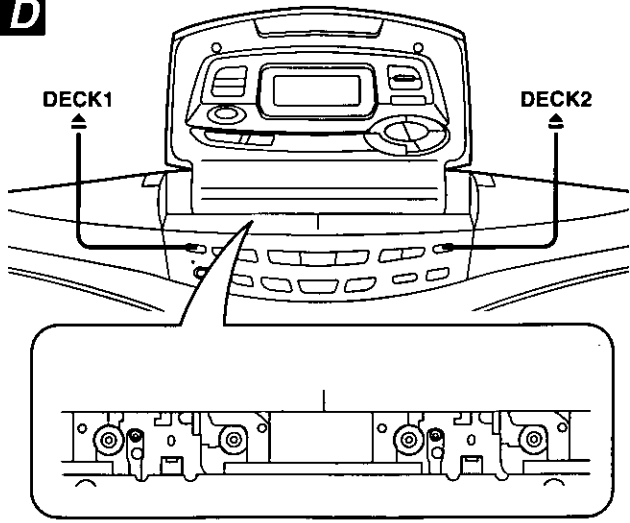


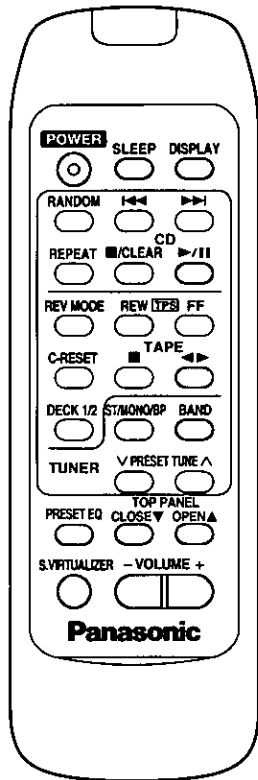
Bande adhésive

Position élevée



Orifice de détection

**D**



**Fonctions communes**

Pour établir et couper le contact.  
(Le contact ne peut être établi avec la télécommande lorsque l'appareil fonctionne sur piles.)



Ouverture du rabat du dessus



Fermeture du rabat du dessus



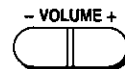
Sélection de la courbe d'égalisation



Activation des effets de virtualisation



Réglage du volume



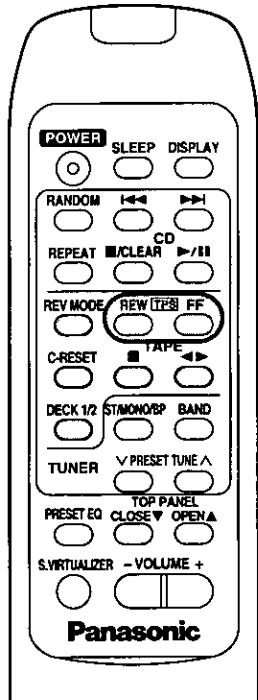
Sélection de l'affichage



Touche de sélection/mise en marche directe



Réglage/annulation de la mise hors contact différée

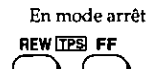


**Commandes du magnétophone à cassette**

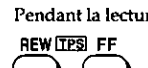
Lecture/changement du sens de défilement



Rebobinage/avance accélérée



Repérage du début d'une plage (TPS)



Arrêt du défilement



Sélection du mode d'inversion

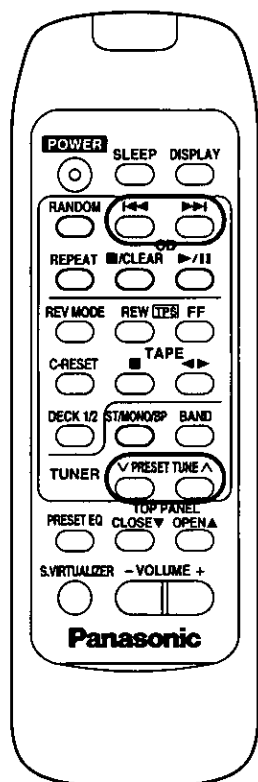


Remise à zéro du compte-tours



Sélection de la platine 1/2





### Commandes du bloc d'accord/ lecteur de disques numériques

Écoute d'une station présintonisée	∇ PRESET TUNE ▲ 
Sélection de la réception stéréo/mono	ST/MONO/BP 
Suppression des battements dans la bande AM pendant un enregistrement	ST/MONO/BP 
Lecture/interruption momentanée de la lecture	▶/   
Arrêt de la lecture/annulation de la lecture programmée	■/CLEAR 
Saut de plages	
Recherche avant ou arrière	Maintenir la touche enfoncée 
Lecture en reprise	REPEAT 
Lecture aléatoire	RANDOM 

### Nettoyage des surfaces extérieures

Nettoyer le coffret avec un linge doux humecté d'eau légèrement savonneuse.

Si l'appareil est extrêmement sale, utiliser un chiffon doux imbibé d'eau savonneuse ou une solution détergente douce.

Bien essorer le chiffon avant d'essuyer le coffret.

Essuyer de nouveau avec un chiffon sec et propre.

Ne jamais utiliser de solvant d'aucune sorte. Éviter l'usage d'alcool, de solvant à peinture, de benzène ou de chiffons traités chimiquement, car ils pourraient endommager la fini du coffret.

Consulter le tableau ci-dessous pour savoir si la difficulté rencontrée peut être résolue par les corrections qui y sont décrites, avant de faire appel à un centre de service. Si aucune solution n'a pu être trouvée même après avoir effectué ces vérifications, ou si l'appareil présente des symptômes de mauvais fonctionnement qui ne sont pas décrits dans ce tableau, communiquer avec le détaillant qui a vendu l'appareil ou avec le centre de service de la région (voir liste ci-jointe) pour plus de renseignements.

Problème	Cause(s) probable(s)	Remède suggéré	Page
<b>Problèmes communs</b>			
L'indication "E" apparaît.	Une erreur d'opération a-t-elle été commise?	Lire le manuel d'instruction et essayer de nouveau.	
L'indication "U01" apparaît.	Les piles sont épuisées.	Remplacer toutes les piles ou faire fonctionner l'appareil sur le secteur.	5
	L'appareil n'est pas alimenté.	Mettre des piles en place ou brancher le cordon d'alimentation.	5
<b>Lecteur de disques</b>			
La lecture ne débute pas. Aucun numéro de plage n'est affiché, etc.	Le disque a-t-il été placé sens dessus dessous.	Placer le disque avec l'étiquette sur le dessus.	14
	La température a-t-elle subitement changée? Par exemple, l'appareil a-t-il été transporté d'un endroit froid à un endroit plus chaud?	Il pourrait y avoir condensation dans l'appareil. Attendre environ une heure avant de l'utiliser.	4
Certaines sections du disque ne sont pas lues correctement.	Le disque est-il sale?	Essuyer le disque avec un chiffon doux.	30
	Le disque est-il rayé?	Remplacer le disque.	
<b>Magnétophone à cassette</b>			
Aucun enregistrement n'est possible.	Les languettes de protection de la cassette ont-elles été enlevées?	Couvrir les orifices avec de la bande adhésive.	31
Le son est faible et intermittent, la sonorité est de piètre qualité, etc.	Les têtes sont-elles sales?	Nettoyer les têtes.	31
<b>Bloc d'accord</b>			
La réception est difficile.	L'antenne a-t-elle été bien ajustée?	Orienter l'antenne dans une autre direction.	12
Présence de bruit dans la bande AM.	La télécommande d'un autre appareil est-elle utilisée près de la chaîne portative?	Éloigner la télécommande.	
	L'appareil est-il utilisé en même temps qu'un téléviseur?	Éloigner l'appareil du téléviseur ou couper le contact sur ce dernier.	
<b>Minuterie</b>			
Le programme de la minuterie ne fonctionne pas.	L'appareil avait-il été laissé en contact (enregistrement et mise en contact différés)?	Couper le contact sur l'appareil après avoir effectué la programmation.	24 26
	L'indicateur du programme activé (A), (B), (REC) ou SLEEP) était-il allumé?	Refaire la programmation et s'assurer que l'indicateur approprié est allumé.	24 26 28

## Données techniques

### Section radio

#### Gamme de fréquence

FM	87,9–107,9 MHz (modulations de 200 kHz)
	87,5–108,0 MHz (modulations de 100 kHz)
AM	525–1710 kHz (modulations de 10 kHz)

### Section lecteur de disques audionumériques

Fréquence d'échantillonnage	44,1 kHz
Système de décodage	Linéaire, 16 bits
Source du faisceau	Laser à semi-conducteur (longueur d'onde: 780 nm)
Nombre de canaux	2 canaux, stéréo
Pleurage et scintillement	Incommensurablement petit
Convertisseur n-a	MASH (convertisseur à 1 bit)

### Section magnétophone à cassette

Type	2 canaux, 4 pistes, stéréo
Contrôle sonore	Variable
Système d'enregistrement	Polarisation c.a.
Système d'effacement	Effacement c.a.
Réponse en fréquence	
Position normal	30–16.000 Hz
Position élevée	30–17.000 Hz

### Divers

Haut-parleurs	10 cm (4 po) 2,7Ω×2
Prises	
Sortie	PHONES: 3,5 mm stéréo (16–32Ω)
Entrée	MIX MIC: 3,5 mm (200–600Ω)
Alimentation	
Sur secteur	120 V, c.a., 60 Hz Consommation: 44 W
Sur piles	15 V (10 piles R20/LR20, format D, UM-1) ● Ne pas utiliser de piles rechargeables.
Piles pour microprocesseur/horloge	6 V (4 piles R6/LR6, format AA, UM-3) ● Ne pas utiliser de piles rechargeables.
Dimensions (L×H×P)	630×178×296 mm (24 <sup>3</sup> / <sub>16</sub> po×7 po×11 <sup>1</sup> / <sub>16</sub> po) (Rabat du dessus fermé) 630×305×296 mm (24 <sup>3</sup> / <sub>16</sub> po×12 po×11 <sup>1</sup> / <sub>16</sub> po) (Panneau du dessus ouvert)
Poids	5,6 kg (12 lb 6 oz) (sans les piles)

### Remarque

Sujet à changements sans préavis.  
Le poids et les dimensions sont approximatifs.

MASH est une marque déposée de NTT.

## Service après-vente

Ne pas tenter de retirer les couvercles ni de réparer l'appareil soi-même.  
Confier toute réparation à un personnel qualifié.

## Demande d'informations

Pour toutes réparations, renseignements ou conseils sur le fonctionnement du produit, voir la liste des centres de service après-vente.

